

GENALEX

SERVICE DATA

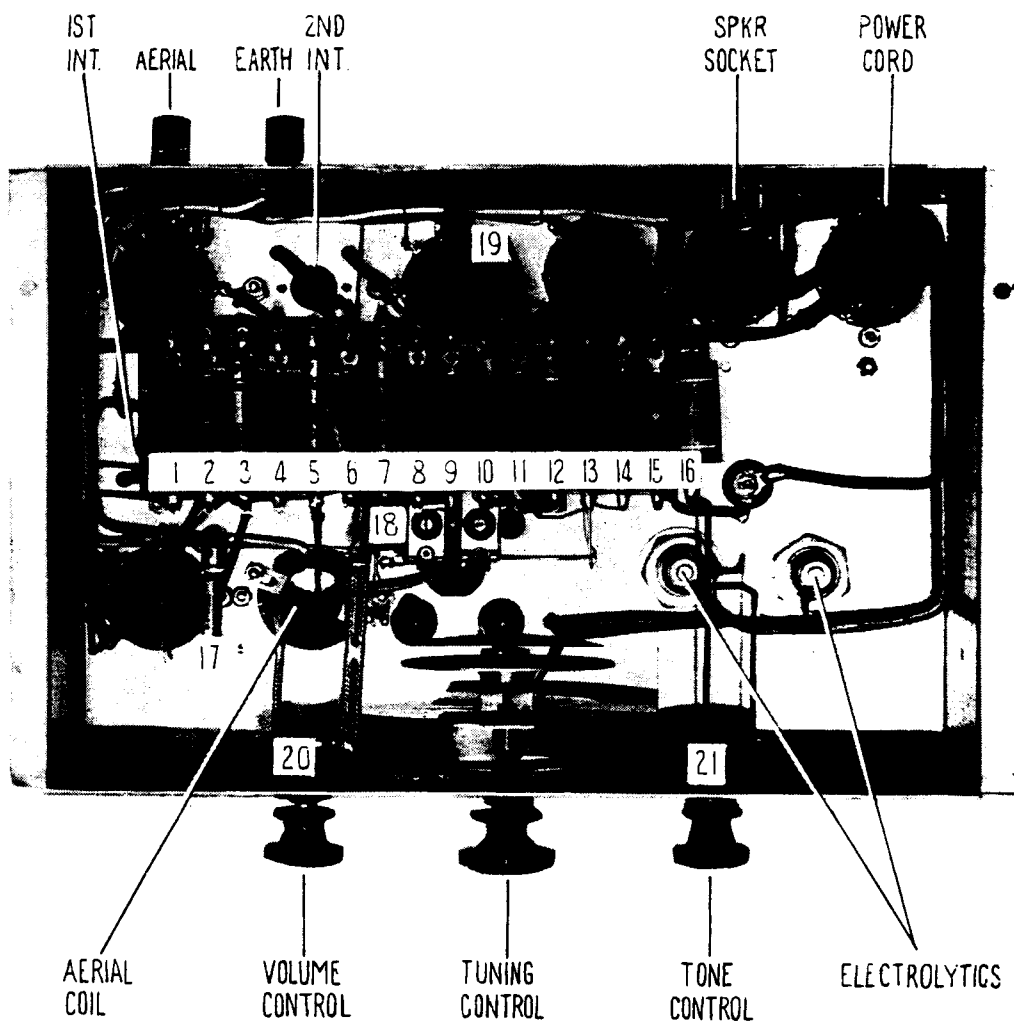
for

MODEL BC370 SUPERHETERODYNE

(For AC-DC operation, 200-260 v.)

TABLE OF VOLTAGES AND CURRENTS

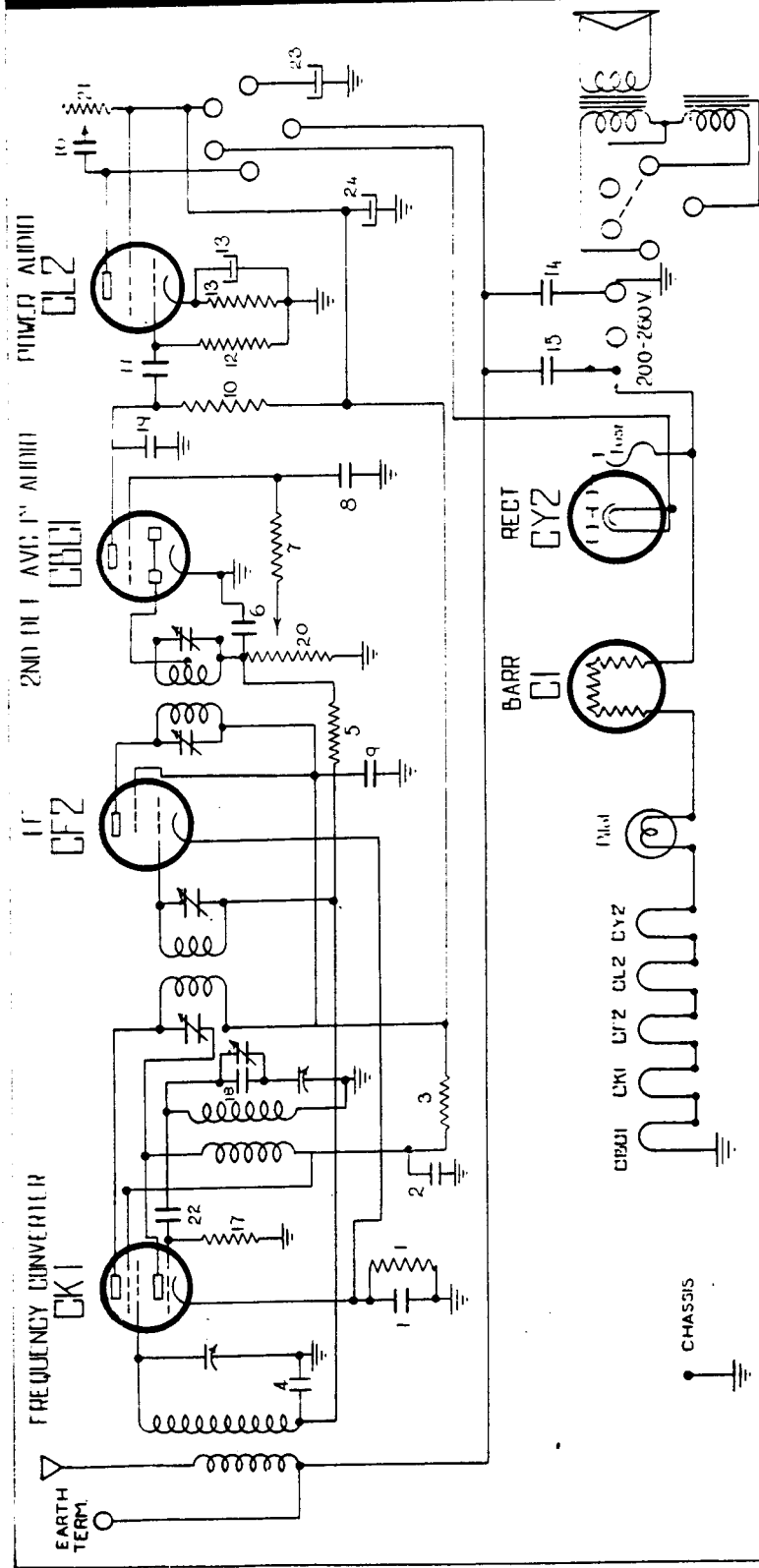
Valve	Function of Valve	Ep.	Ip.	Esg.	Isg.	Eg.	Eag.	Iag.
CK1	Freq. Changer	160	0.5	80	3.5	3.0	80	1.0
CF2	I.F.	160	5.5	80	3.0	3.0	—	—
CBC1	2nd Det. A.V.C. 1st Audio	30	0.5	—	—	—	—	—
CL2	Audio	135	41.0	160	6.8	26	—	—
CY2	Rectifier	240/240	31/31	—	—	—	—	—



SUB-CHASSIS VIEW

LOCATION OF COMPONENTS.

The key on circuit diagram is numbered to correspond to the numbers on photograph of sub-chassis view.



INTERMEDIATE FREQUENCY 470KC

GENALEX MODEL BC370, 6 VALVE

AC-DC OPERATED SUPERHETERODYNE

VALUES

1	250000	0.2mfd	2	0.1mfd
3	15000	Ω	4	0.1mfd
5	0.5	meg	6	0.00025mfd
7	50000	Ω	8	0.00025mfd
9	0.5	mfd	10	0.25meg
11	0.01	mfd	12	1meg
13	50000	Ω	14	0.1mfd
15	0.1	mfd	16	0.05mfd
17	0.1	meg	18	0.0004mfd
19	0.0001	mfd	20	0.5meg
21	250000	Ω	22	0.0001
23	8	mfd	24	8 mfd.