

MODEL B39

A.W.A. PORTABLE RECORD PLAYER

ISSUED BY AMALGAMATED WIRELESS (AUSTRALASIA) LTD.



GENERAL DESCRIPTION

Model B39 is a four transistor, battery operated, four speed record player designed to reproduce 7", 10" or 12" records. Stereophonic records may be played without damaging the record although both channels will be reproduced through one loudspeaker.

ELECTRICAL AND MECHANICAL SPECIFICATION

Power Output ½ Watt
Loudspeaker 6" x 4" 50245
V.C. Impedance 15 ohms

Battery Complement:

Amplifier 9V Eveready Type 276P
Motor 9V Eveready Type 276P

Battery Consumption:

Amplifier 12 mA (Zero Signal Conditions)
Motor 50 mA Average

Transistor Complement:

A.W.V. 2N408 Pre-Amplifier
A.W.V. 2N408 Driver
A.W.V. AS128 (2) P-P Output

Dimensions:

Width, 11½"; Depth, 10"; Height, 5"; Weight 11 lbs.
Controls On/Off-Tone, Volume, Speed Selector

Chassis Removal:

Remove the batteries.

Remove the front control knobs by pulling them straight off their spindles.

Remove the lid and make sure the pick-up arm is secured to its rest.

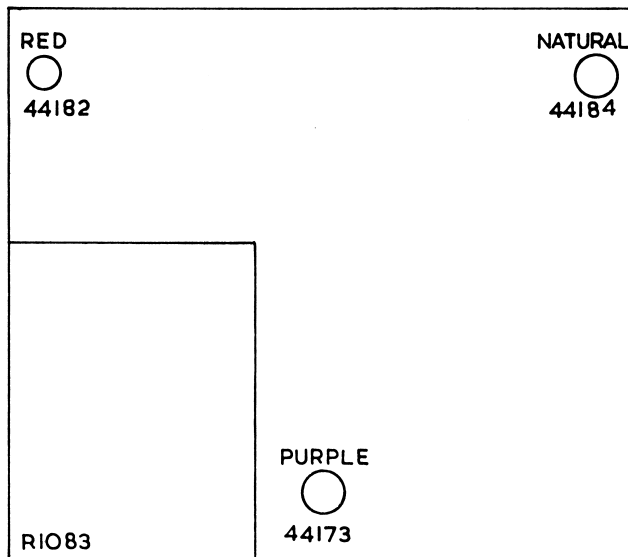
Place the record player face down and remove three screws exposed in the bottom of the case. The case may now be lifted away from the motor board assembly.

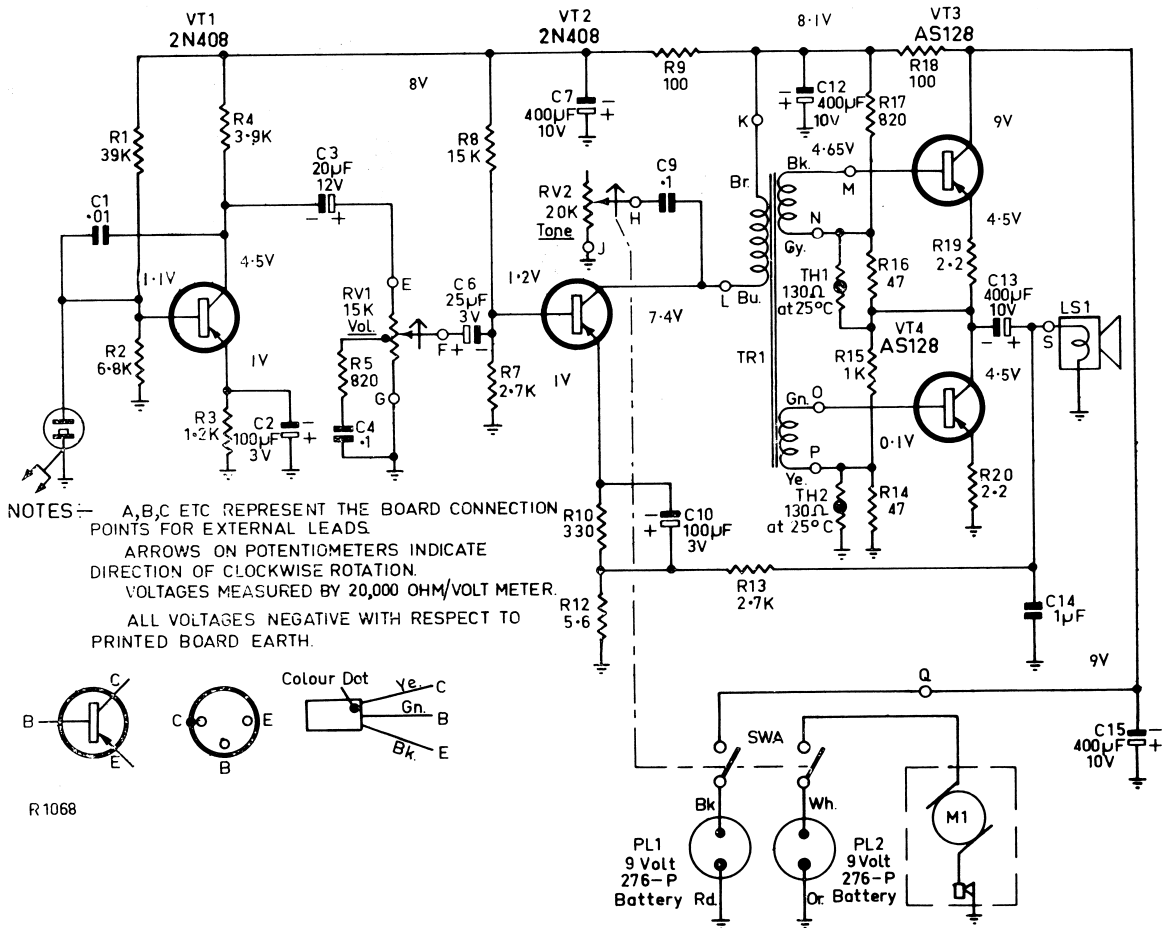
To gain access to the wiring side of the printed board, remove two Phillips Head screws situated at the bottom front of the chassis and loosen the two screws clamping the chassis to the moulded lugs. The complete assembly may now be lifted and tilted forward to reveal the printed wiring.

SPRING LOADED FOOT REPLACEMENT

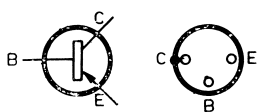
To accomplish this, the whole assembly comprising foot (part No. 64846) spring and Retaining Clip (No. SCO/1868) must be replaced. It is essential that the correctly coloured springs, as shown in the accompanying diagram, are replaced in their corresponding positions. The diagram is viewed from the underside of the cabinet case.

To replace a foot, first remove the cabinet case. Mount the correct spring on the foot and push it through its mounting hole. From inside the cabinet case push the retaining clip onto the foot until its teeth engage in the groove in the foot.





NOTES— A,B,C ETC REPRESENT THE BOARD CONNECTION POINTS FOR EXTERNAL LEADS.
 ARROWS ON POTENTIOMETERS INDICATE DIRECTION OF CLOCKWISE ROTATION.
 VOLTAGES MEASURED BY 20,000 OHM/VOLT METER.
 ALL VOLTAGES NEGATIVE WITH RESPECT TO PRINTED BOARD EARTH.



R 1068

CIRCUIT CODE. RADIOLA TRANSISTOR PORTABLE PLAYER B39

CODE No.	DESCRIPTION	PART No.	CODE No.	DESCRIPTION	PART No.
RESISTORS					
All Resistors composition type unless otherwise stated.					
R1	39K ohms ±10% ½ watt cracked carbon	614686	C2	100µf 3VW Electrolytic	229706
R2	6.8K ohms ±10% ½ watt cracked carbon	611527	C3	20µf 12VW Electrolytic	229307
R3	1.2K ohms ±10% ½ watt	608312	C4	0.1µf ±20% 25VW Hi-K disc	227083
R4	3.9K ohms ±10% ½ watt	610556	C5	Not used	
R5	820 ohms ±10% ½ watt	607665	C6	25µf 3VW Electrolytic	229428
R6	Not used		C7	400µf 10VW Electrolytic	229786
R7	2.7K ohms ±10% ½ watt	609862	C8	Not used	
R8	15K ohms ±10% ½ watt	612922	C9	0.1µf +80% -20% 25VW Hi-K disc	227074
R9	100 ohms ±10% ½ watt	604031	C10	100µf 3VW Electrolytic	229706
R10	330 ohms ±10% ½ watt	605959	C11	Not used	
R11	Not used		C12	400µf 10VW Electrolytic	229786
R12	5.6 ohms ±5% ½ watt W.W.	600714	C13	400µf 10VW Electrolytic	229786
R13	2.7K ohms ±10% ½ watt	609862	C14	1µf ±20% 200VW AEE W48	227732
R14	47 ohms ±5% ½ watt	603104	C15	400µf 10VW Electrolytic	229786
R15	1K ohms ±5% ½ watt	608029	C16		
R16	47 ohms ±5% ½ watt	603104	TRANSISTORS		
R17	820 ohms ±5% ½ watt	607668	VT1	AWW 2N408	
R18	100 ohms ±10% ½ watt	604031	VT2	AWW 2N408	
R19	2.2 ohms ±5% ½ watt W.W.	600429	VT3	AWW AS128	
R20	2.2 ohms ±5% ½ watt W.W.	600429	VT4	AWW AS128	
RV1	15K ohms Curve A Carbon Volume	620220	MISCELLANEOUS		
RV2	20K ohms Curve C Carbon Tone W/S	620240	TR1	Driver Transformer	52428
CAPACITORS			TH1	130 ohms at 25°C N.T.C.	893703
C1	0.01µf ±20% 200VW AEE W99	228609	TH2	130 ohms at 25°C N.T.C.	893703
			LS1	6" x 4" Speaker	50245
			PL1	Battery Plug	34623
			PL2	Battery Plug	34623
			SWA	On/Off Switch (on RV2)	