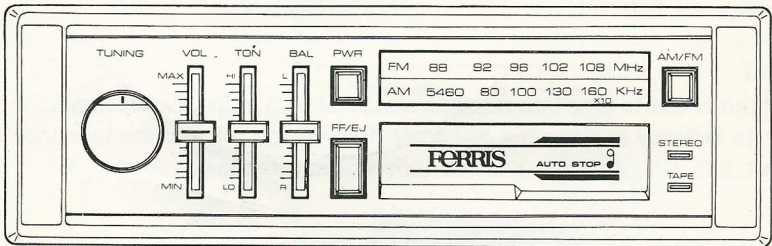


In-Dash Auto-Stop

Car Stereo Cassette Player with AM/FM-MPX Radio

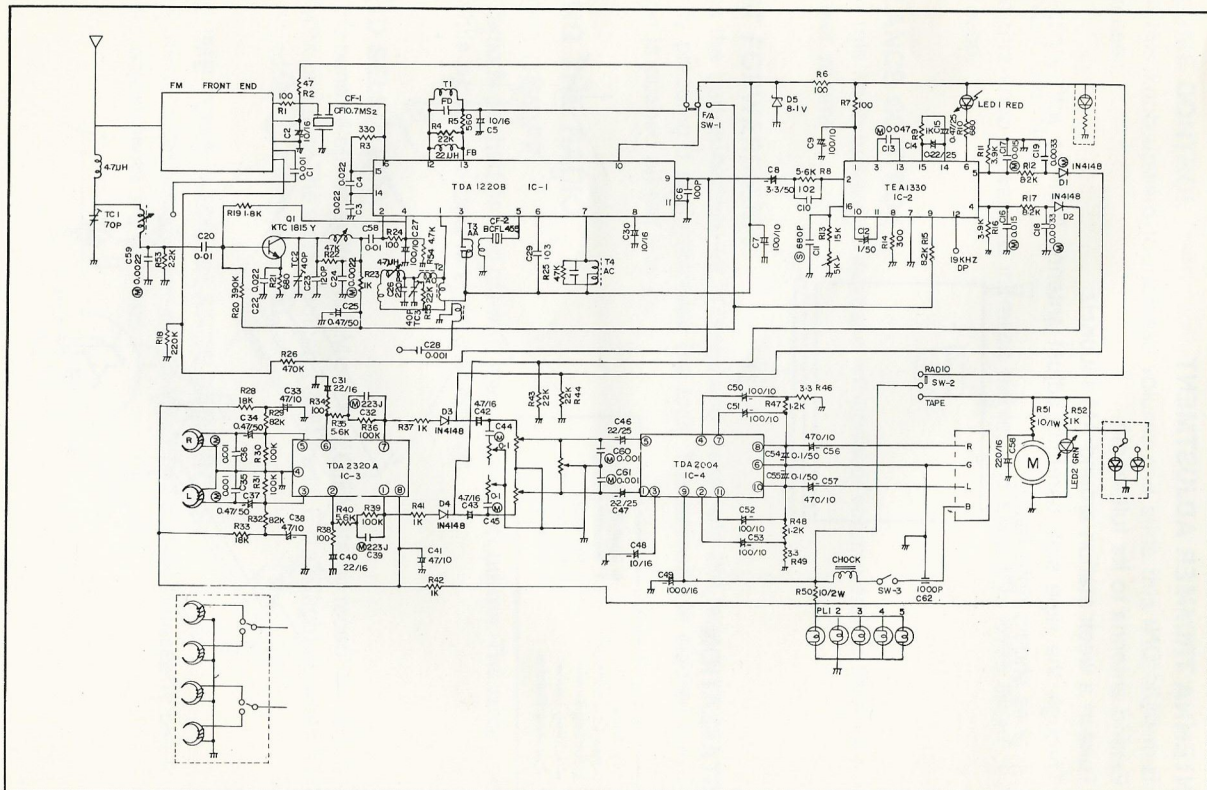
INSTALLATION & OPERATION GUIDE



10W + 10W

MODEL: AUS-111

SCHEMATIC DIAGRAM



Note: Subject to change without notice