

NOTES:

1. RESISTOR VALUES ARE IN OHMS ±10% 1/2 WATT UNLESS OTHERWISE SPECIFIED.
2. ALL CAPACITORS ARE IN MICROFARADS AND RATED AT 400V, UNLESS OTHERWISE SPECIFIED.
3. SWITCHES ARE SHOWN AS THEY FUNCTION NOT AS THEY ARE CONSTRUCTED AND WIRED.
4. FOR UNBALANCED OUTPUT WITH ONE SIDE GROUND, CONNECT A TO B AT 5T52 OR PIN 1 TO PIN 2 AT 5J5. FOR BALANCED OUTPUT WITH CENTER TAP GROUND CONNECT C TO H AT 6T51.
5. JUMPERED AS SHOWN, VU METER IS CALIBRATED FOR +8 VU OUTPUT. FOR +4 VU OUTPUT JUMPER E TO F INSTEAD OF E TO D ON 6T53 (SEE INSTALLATION). READJUST RECORD CALIBRATION CONTROL AS DESCRIBED IN SECTION V OF MAINTENANCE MANUAL.
6. DC VOLTAGES MEASURED WITH 20,000 OHM PER VOLT METER WITH EQUIPMENT IN RECORD MODE AT 117V LINE.
7. SIGNAL VOLTAGES MEASURED WITH AC VTVM AND EXPRESSED IN db REFERRED TO .78 VOLTS.

CIRCUIT CONDITIONS

EQUALIZATION SWITCH 452 IN 7½ POSITION 500 CYCLE INPUT.

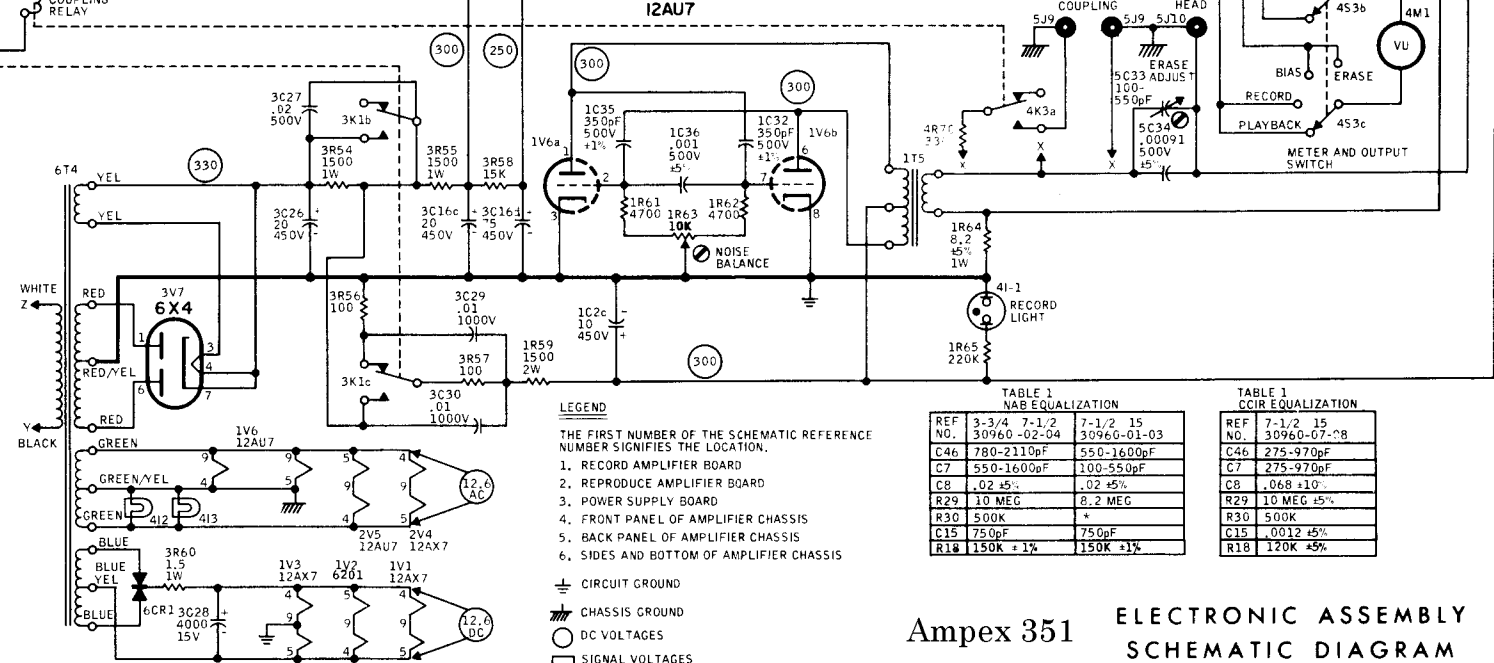
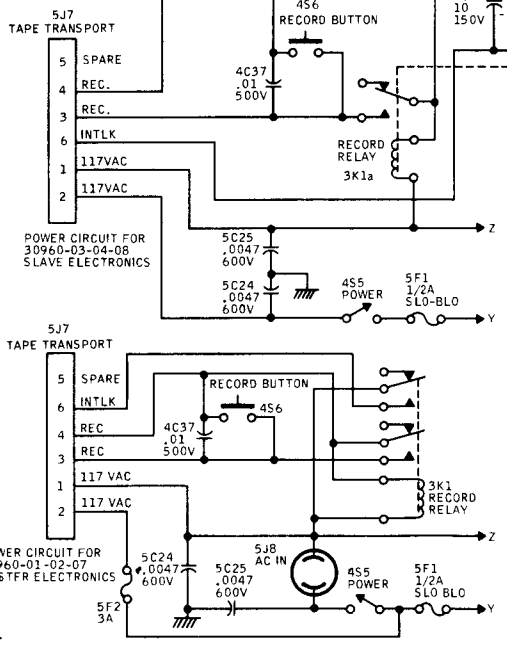
LEVEL CONTROLS 4R9 AND 4R36 FULL CLOCKWISE. LINE OUTPUT 5J5 TERMINATED IN NOMINAL 600 OHMS. OSCILLATOR TUBE 1V6 REMOVED.

1,000 OHM RESISTOR SUBSTITUTED FOR RECORD HEAD.

INPUT TRANSFER SWITCH 451 IN MICROPHONE POSITION.

RECORD RELAY 3K1 ENERGIZED.

NOTE: UNBALANCE OF 2dB MAY BE EXPECTED AT PIN 2 AND PIN 7 OF 2V5. C39 MAY BE ELIMINATED IF NECESSARY.



LEGEND

THE FIRST NUMBER OF THE SCHEMATIC REFERENCE NUMBER SIGNIFIES THE LOCATION.

1. RECORD AMPLIFIER BOARD
2. REPRODUCE AMPLIFIER BOARD
3. POWER SUPPLY BOARD
4. FRONT PANEL OF AMPLIFIER CHASSIS
5. BACK PANEL OF AMPLIFIER CHASSIS
6. SIDES AND BOTTOM OF AMPLIFIER CHASSIS

TABLE 1 NAB EQUALIZATION

REF NO.	3-3/4 30960-02-04	7-1/2 30960-01-03	15 30960-01-03
C46	780-2110pF	550-1600pF	550-1600pF
C7	550-1600pF	100-550pF	100-550pF
C8	.02 ±5%	.02 ±5%	.02 ±5%
R29	10 MEG	8.2 MEG	8.2 MEG
R30	500K	*	500K
C15	750pF	750pF	750pF
R18	150K ±1%	150K ±1%	150K ±1%

TABLE 1 CCIR EQUALIZATION

REF NO.	7-1/2 30960-07-08	15 30960-07-08
C46	275-970pF	275-970pF
C7	275-970pF	275-970pF
C8	.068 ±10%	.068 ±10%
R29	10 MEG ±5%	10 MEG ±5%
R30	500K	500K
C15	.0012 ±5%	.0012 ±5%
R18	120K ±5%	120K ±5%