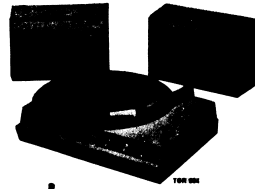


PHILIPS *Service*



GRAMOPHONES

AG5857W/00E/16E/17E/22E/43E

/00G/16G/17G/22G/43G



The AG 5857W is a record player with stereo amplifier in the case and two loudspeakers built into the lid.

TECHNICAL DATA

Mains voltage	: 110-127-220-240 V
Mains frequency	: 50 c/s
Power consumption	: 14 W
Output power	: 2x1,5 W; d = 10 %
Dimensions	: 350x270x150 mm
Number of revolutions	: 16 2/3 - 33 1/3 - 45 - 78 rev./min.
Pick-up heads	: AG 3306-AG 3310-AG3224-AG 3228
Transistors	: 2x AC126 2x AC125 2x 2-AC128
Loudspeaker (4 Ω)	: 940/AD 4571 RY

For repairs or replacement of parts of the player, see our service documentation of the AG 2057 with exception of the code numbers mentioned in the mechanical parts list, page ME 126 E.

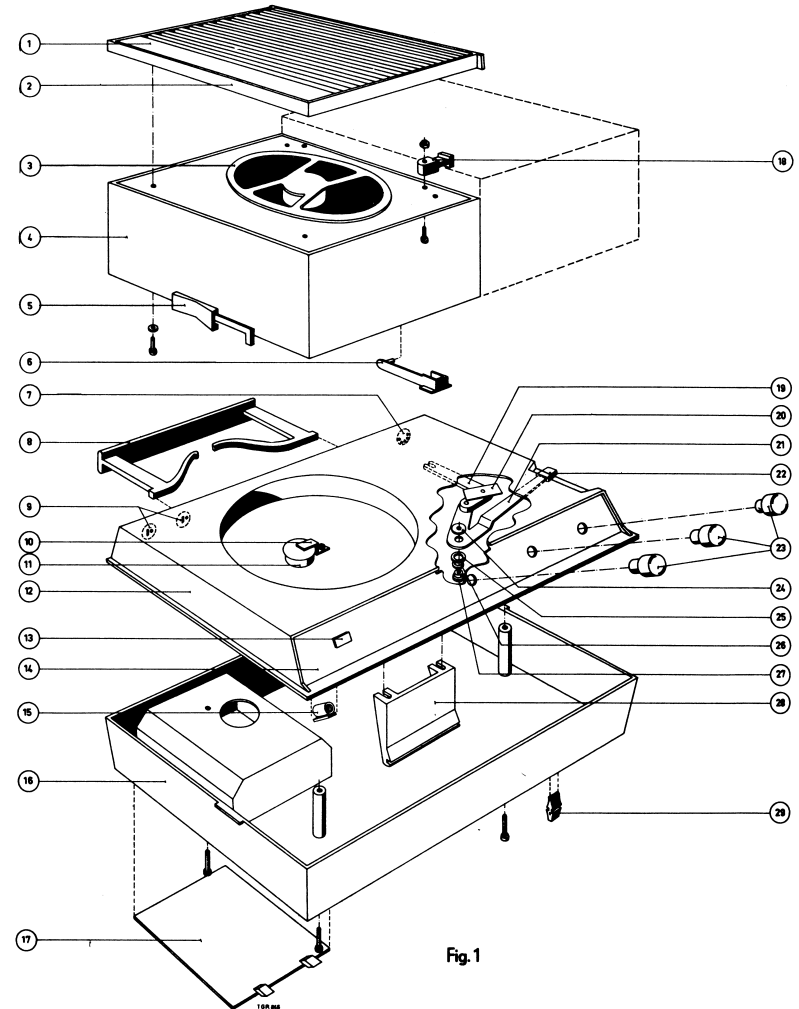


Fig.1

R	1	2	3	4	5	6	7	8	9	10	11	12	13	14	15	16	17	18	19	20
R	101	102	103	104	105	106	107	108	109	110	111	112	113	114	115	116	117	118	119	120
C	1	2	3	4	5	6	7	8	9	10	11	12	13	14	15	16	17	18	19	20
C	101	102	103	104	110	106	107	108	109	110	111	112	113	114	115	116	117	118	119	120

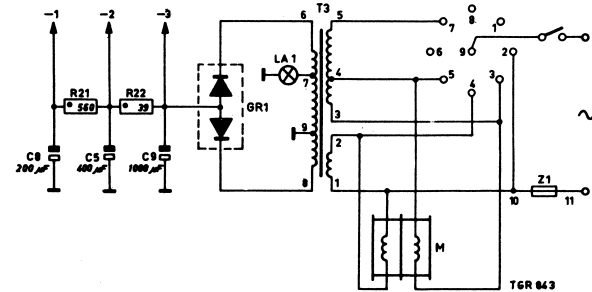
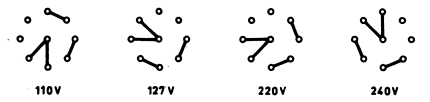
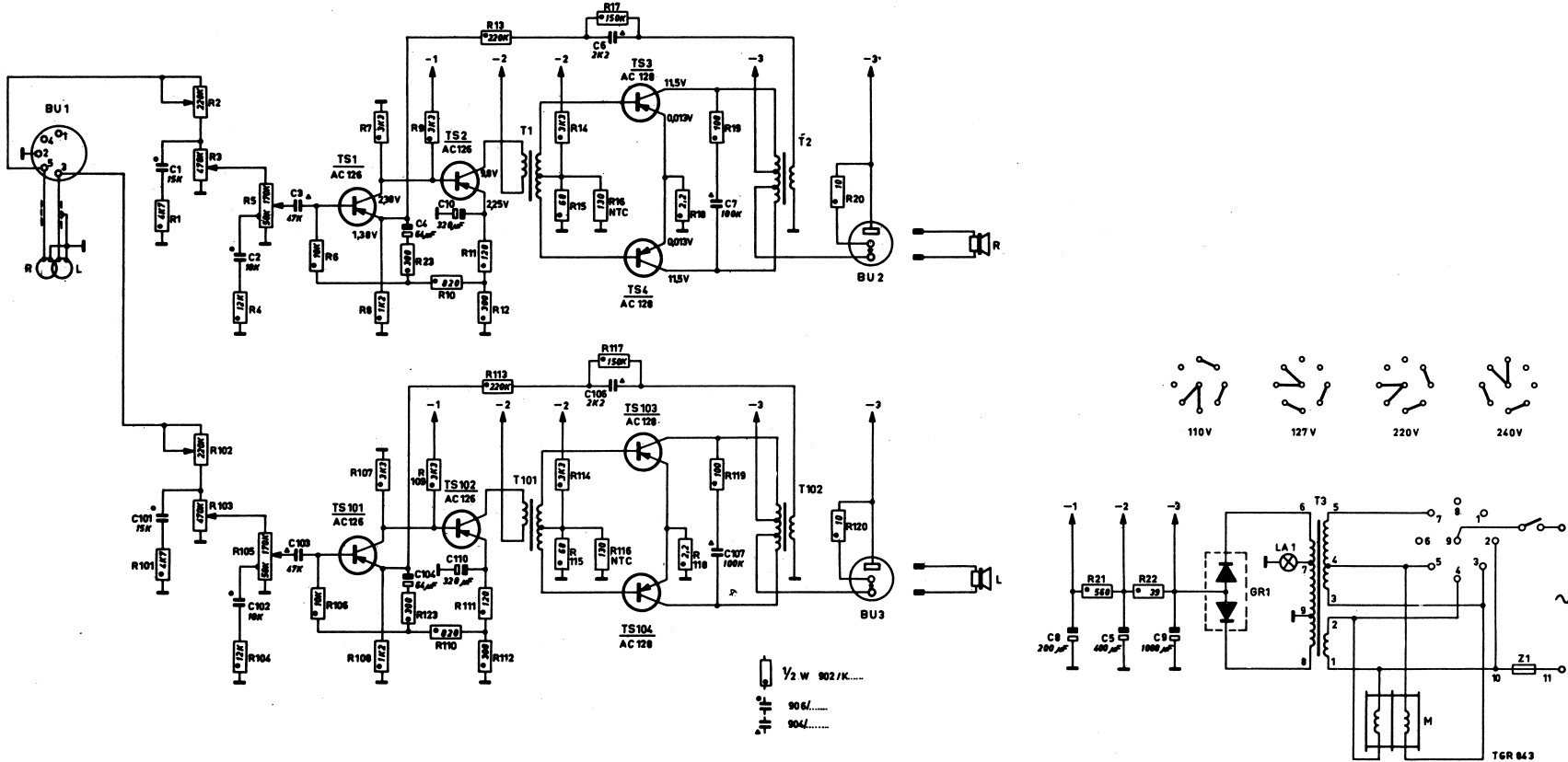


Fig. 2

P39. a PHILIPS MODEL AG5857

List of mechanical parts

Pos.	Code number	Description	
1	4822 125 00473	Ass. grid - Philips	/...E
1	4822 125 00466	Ass. grid - Philips	/...G
1	4822 125 00474	Ass. grid - Stereo	/...E
1	4822 125 00467	Ass. grid - Stereo	/...G
2	4822 125 00472	Frame	/...E
2	4822 125 00469	Frame	/...G
3	940/AD4571RY	Loudspeaker	
4	4822 125 00471	Lid	/...E
4	4822 125 00468	Lid	/...G
5	4822 206 00477	Lock	
6	4822 206 00479	Clamp	
7	979/5x180	5-pole socket	
8	4822 206 00476	Handle	
9	979/S2x4	Loudspeaker socket	
10	AE 013 49	Fixing bracket for voltage adaptor	
11	WT 886 86	Voltage adaptor	
12	4822 125 00464	Mounting plate	
13	4822 206 00351	Lens	
14	4822 206 00485	Ornamental plate	
15	A3 311 15	Lamp holder	
16	4822 206 00482	Case	/...E
16	4822 206 00475	Case	/...G
17	4822 206 00355	Lid for flex	/...E
17	4822 206 00483	Lid for flex	/...G
18	4822 206 00481	Fixing cam for lid	
19	4822 206 00346	Lever	
20	4822 206 00347	Leafspring	
21	4822 206 00348	Lever	
22	4822 206 00449	Knob for lever	
23	4822 125 00465	Knob	
24	4822 206 00473	Ring	
25	4822 206 00472	Ring	
26	986/6	Ring	
27	TD 150 38	Screw	
28	4822 206 00478	Clamp	
29	4822 206 00353	Rubber foot	
	4822 206 00474	Fixing bracket for lampholder	
	TD 352 05	Plastic cable clamp	

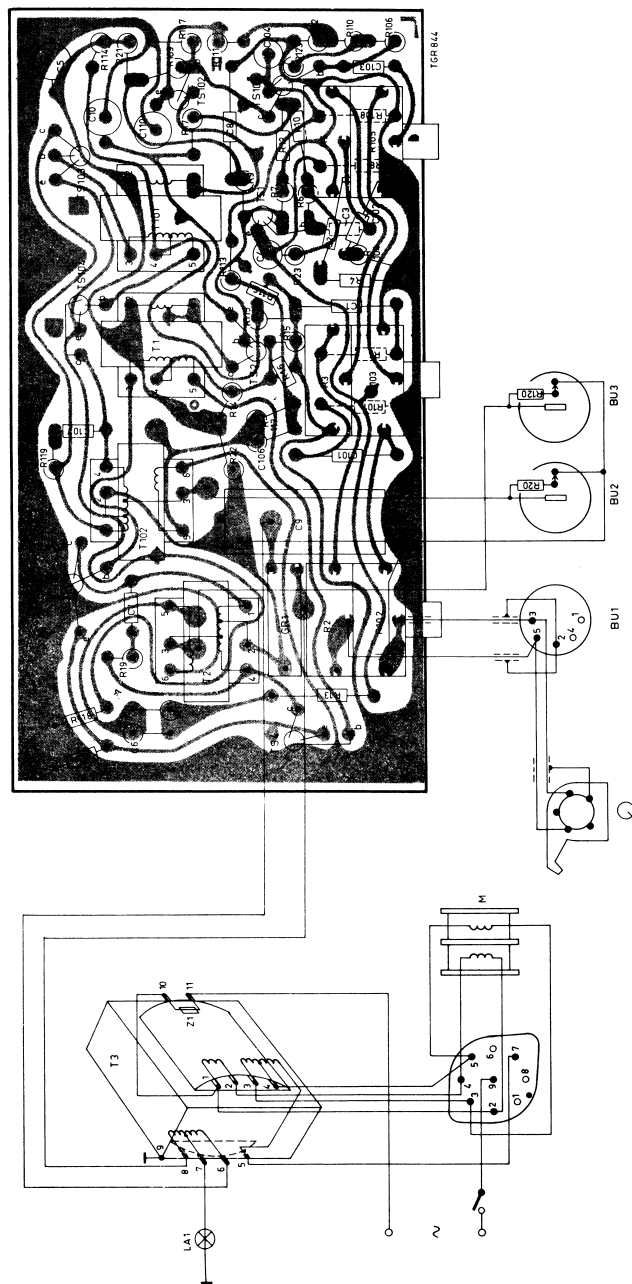


Fig. 3