

# PHILIPS *Service*

## notes

**AG 4026**

### Philips Phonograms AG 4026



#### **SPECIFICATIONS.**

Battery Equipment .... 6 x 1.5V type 950 cells  
 Current Consumption (no signal) .... 80-90mA  
 Record Player ..... AG 2026-90  
 Pick-up Head ..... see table below

#### **PICK-UP HEADS:**

Type Number	HEAD		STYLUS		Code Number
	Element	Description			
AG 3302	Crystal	Sapphire, 75 $\mu$ macrogroove (78 r.p.m.)	....	....	946/S49
		Sapphire, 18 $\mu$ stereo microgroove	....	....	946/S46
AG 3305	Crystal	Sapphire, 75 $\mu$ macrogroove (78 r.p.m.)	....	....	946/S49
		Diamond, 18 $\mu$ stereo microgroove	....	....	946/D42
AG 3222	Ceramic	Sapphire, 75 $\mu$ macrogroove (78 r.p.m.)	....	....	946/S36
		Diamond, 18 $\mu$ stereo microgroove	....	....	946/D39

#### **REMOVAL FROM CASE:**

Removal from case is by way of removing three screws from the underside of the case. Do not remove the screws at either end of the carrying handle for removal from case; these mount the handle.

#### **REMOVAL OF FRONT GRILLE:**

Remove the four screws from the corners inside the speaker housing and the screw which mounts the speaker flex stowing clip. The grille lifts out from the front.

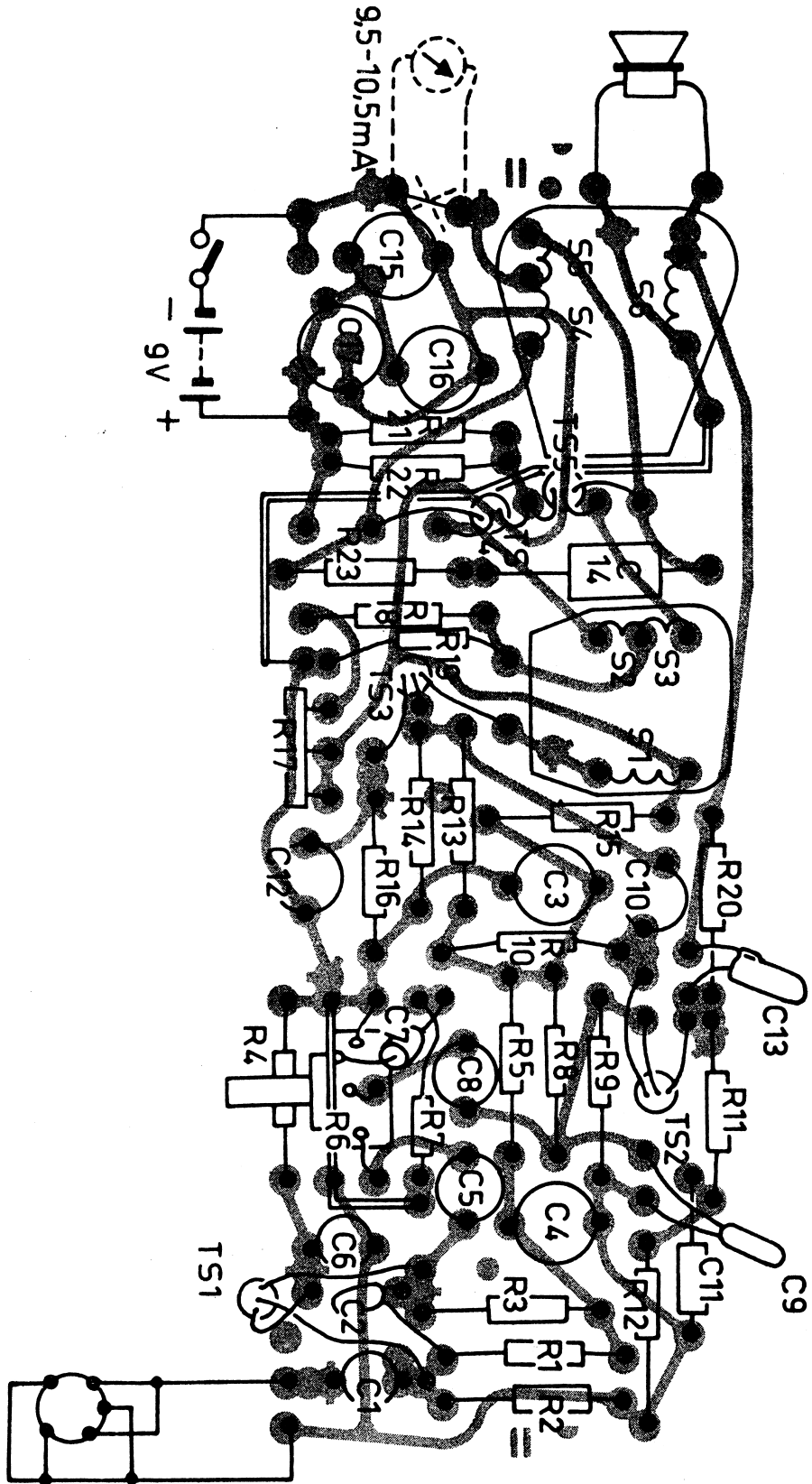
#### **SPEAKER REMOVAL:**

Remove the front grille (see above, "Removal of Front Grille"). The speaker is mounted with four screws which, when removed, allow the speaker to be lifted out.

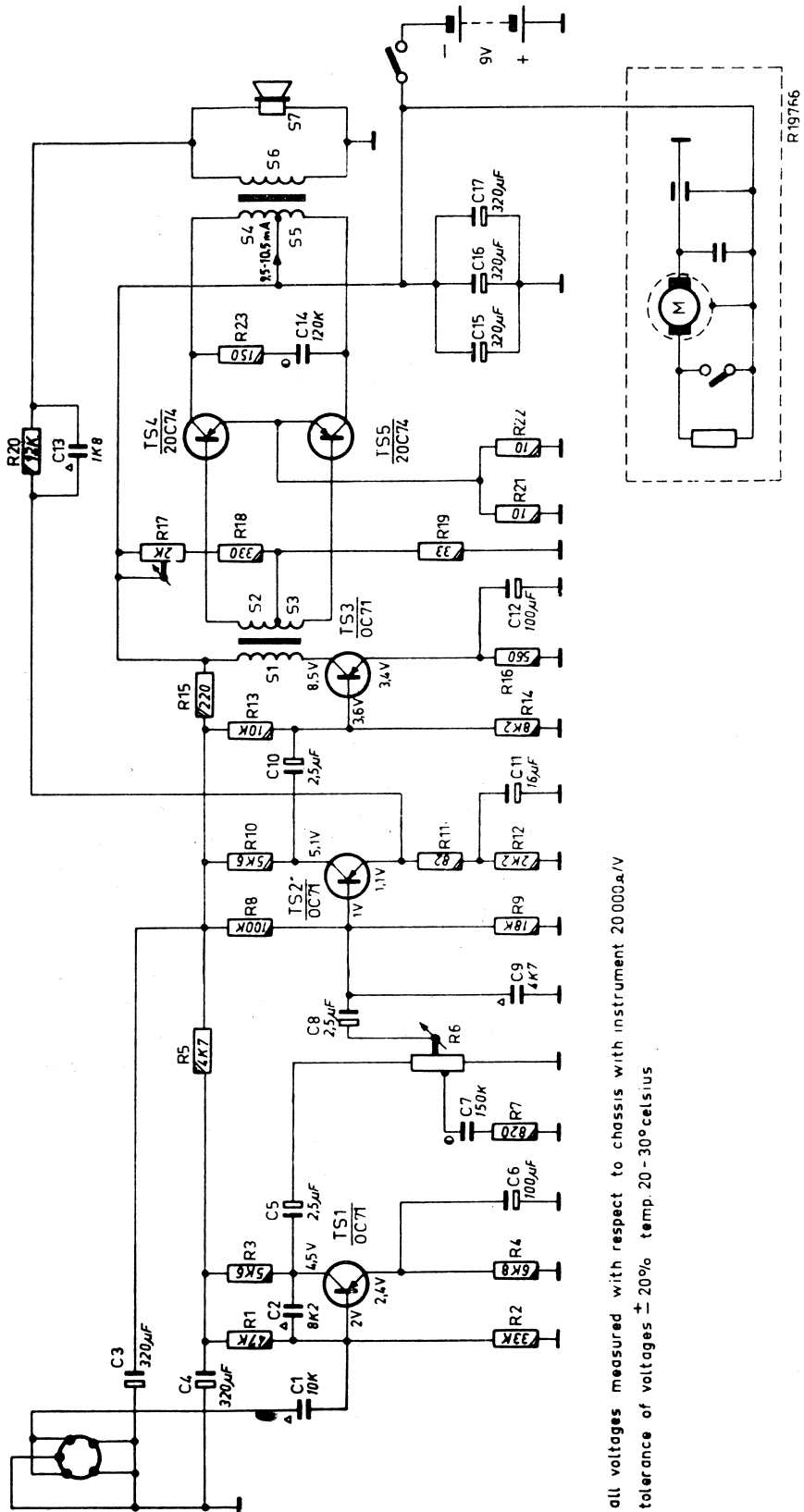
#### **OUTPUT BIAS ADJUSTMENT:**

Provision is made alongside C15 to open a link to allow insertion of a meter to measure collector current of TS4 and TS5. Adjust R17, without signal, for a combined TS4/TS5 collector current of between 9.5-10.5 mA.

# AG 4026



C:	1, 3, 4,	2,	5, 6,	7,	11, 10,	12,	13, 14, 15,	16, 17,
R:	1, 2, 3, 4,	7,	8, 9,	10, 11, 12,	13, 14, 15,	16,	17, 18, 19, 21, 20, 22,	23,



all voltages measured with respect to chassis with instrument 20 000 $\pm$ rV  
tolerance of voltages  $\pm$  20% temp. 20 - 30 $^{\circ}$ celsius

R197f6

# AG 4026

# Electrical Parts List

Circuit No.	Description	Code Number
<b>CAPACITORS</b>		
C1	10 nF ceramic, — 20% + 50%	904/P10K
C2	8.2 nF ceramic, — 20% + 50%	904/P8K2
C3	320 μF 10VW electrolytic	909/U320
C4	320 μF 10VW electrolytic	909/U320
C5	2.5 μF 16VW electrolytic	C.425.CF/E2.5
C6	100 μF 4VW electrolytic	C.426.CE/B100
C7	0.15 μF polystyrene 125V, 10%	906/L150K
C8	2.5 μF 16 VV electrolytic	C.425.CF/E2.5
C9	4.7 nF ceramic, — 20% + 50%	904/P4K7
C10	2.5 μF 16VW electrolytic	C.425.CF/E2.5
C11	16 μF 10VW electrolytic	C.426.AE/D16
C12	100 μF 4VW electrolytic	C.426.CE/B100
C13	1.8 nF ceramic 20%	904/P1K8
C14	0.12 μF polystyrene, 125V, 10%	906/L120K
C15	320 μF 10VW electrolytic	909/U320
C16	320 μF 10VW electrolytic	909/U320
C17	320 μF 10VW electrolytic	909/U320

NOTE—nF = nanofarad, i.e. 10<sup>-9</sup> farad.

<b>RESISTORS</b>		
R1	47,000 Ω carbon ½W 10%	902/47K
R2	33,000 Ω carbon ½W 10%	902/33K
R3	5,600 Ω carbon ½W 10%	902/5K6
R4	6,800 Ω carbon ½W 10%	902/6K8
R5	4,700 Ω carbon ½W 10%	902/4K7
R6	20,000 Ω tapped 4,000, carbon potentiometer	E.098 AG/00B25
R7	820 Ω carbon ½W 10%	902/820K
R8	100,000 Ω carbon ½W 10%	902/100K
R9	18,000 Ω carbon ½W 10%	902/18K
R10	5,600 Ω carbon ½W 10%	902/5K6
R11	82 Ω carbon ½W 10%	902/82E
R12	2,200 Ω carbon ½W 10%	902/2K2
R13	10,000 Ω carbon ½W 10%	902/10K
R14	8,200 Ω carbon ½W 10%	902/8K2
R15	220 Ω carbon ½W 10%	902/220E
R16	560 Ω carbon ½W 10%	902/560E
R17	2,000 Ω carbon trim potentiometer	E.097.AC/2K
R18	330 Ω carbon ½W 10%	902/330E
R19	33 Ω carbon ½W 10%	902/33E
R20	12,000 Ω carbon ½W 10%	902/12K
R21	10 Ω carbon ½W 10%	902/10E
R22	10 Ω carbon ½W 10%	902/10E
R23	150 Ω carbon ½W 10%	902/150E

### MECHANICAL PARTS LIST

Description	Code Number
Speaker grille with ornamental strip	AE.606.24
Speaker housing	P5.512.09/159KW
Bottom tray	AE.606.25
Cover for battery compartment	P5.512.10/159MP
Contact for battery compartment, 4x	AE.606.27
Carrying handle, with screws	AE.606.26
Knob, volume control	P5.512.13/423FY
Turntable transit plug, in speaker housing	AE.014.31
Player mounting screw, 3x	B.054.ED/4x60

For spare parts for record player refer to AG 2026 service data.

### TRANSFORMERS

S1 } S2 } S3 }	Driver transformer	A3.154.72
S4 S5 S6	Output transformer	A3.154.71
S7	Speaker	940/AD 3721