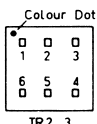
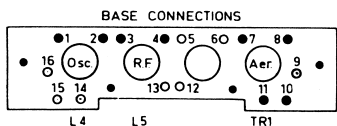
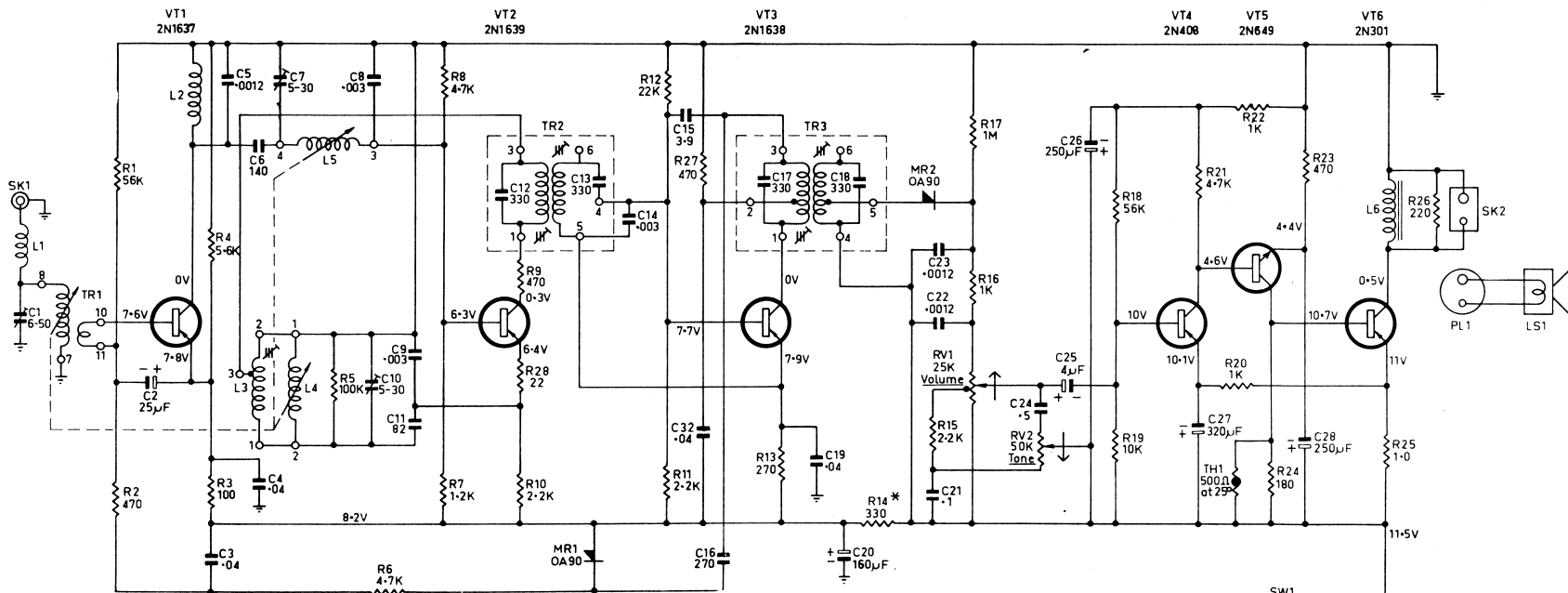


CAR RADIO CIRCUITS

Models 991-A and 992-A

(XM-18805-B and XM-18805-C respectively)

Revised



ARROWS ON POTENTIOMETERS INDICATE DIRECTION OF CLOCKWISE ROTATION
 VOLTAGES MEASURED WITH 20,000 OHM/VOLT METER.

* RESISTANCE VALUE MAY VARY, SELECTED IN PRODUCTION

