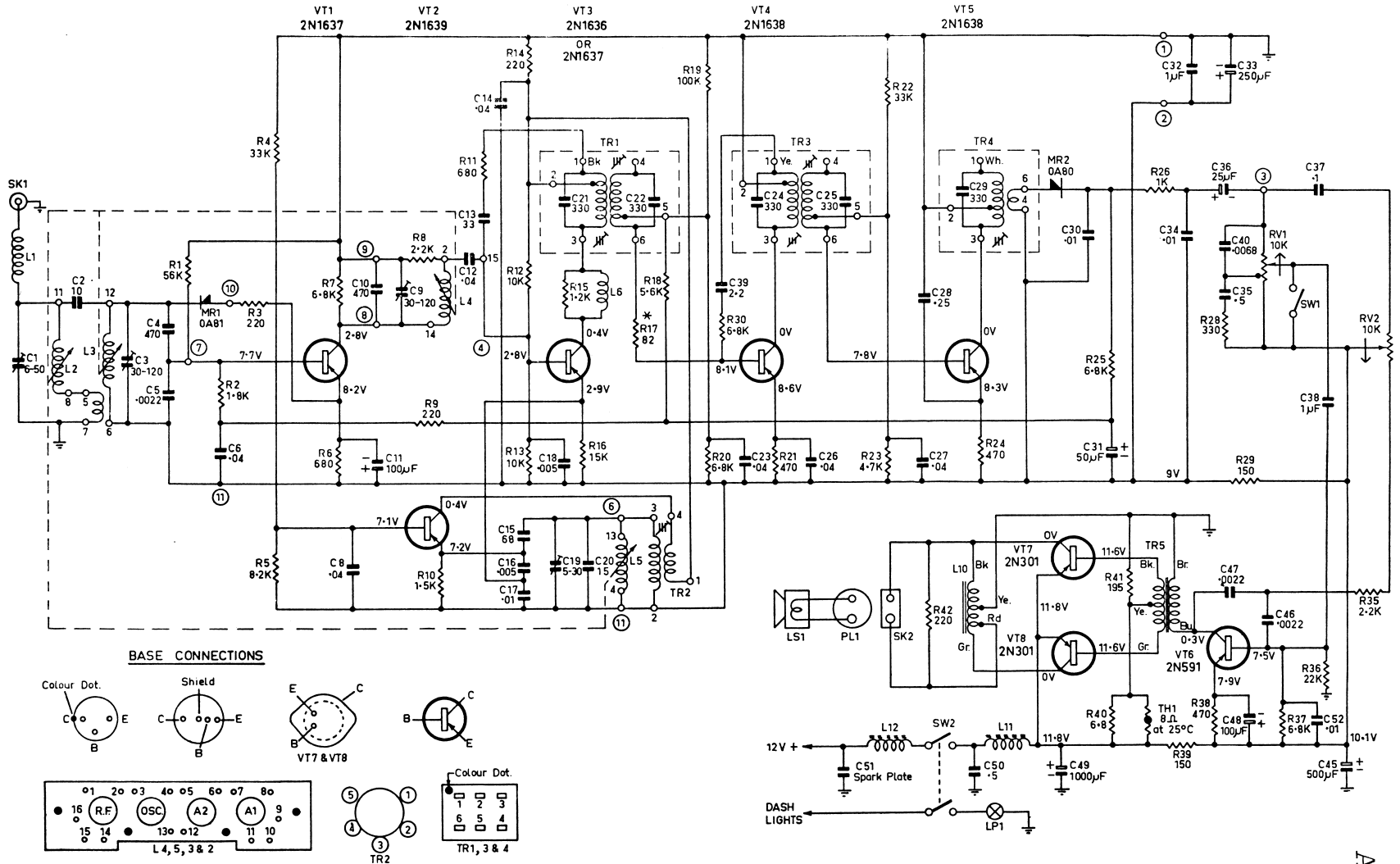


# CIRCUIT A.W.A. RADIOLA MODEL 975-A



**NOTES:** - ARROWS ON POTENTIOMETERS INDICATE DIRECTION OF CLOCKWISE ROTATION.  
 ALL PLUGS VIEWED FROM PIN SIDE SOCKETS FROM WIRING SIDE.  
 ① ② ③ ETC. INDICATE CONNECTION POINTS MARKED ON PRINTED CIRCUIT BOARD.  
 VOLTAGES MEASURED WITH 20,000 OHM VOLT METER.  
 \* RESISTANCE VALUE MAY VARY, SELECTED IN PRODUCTION.