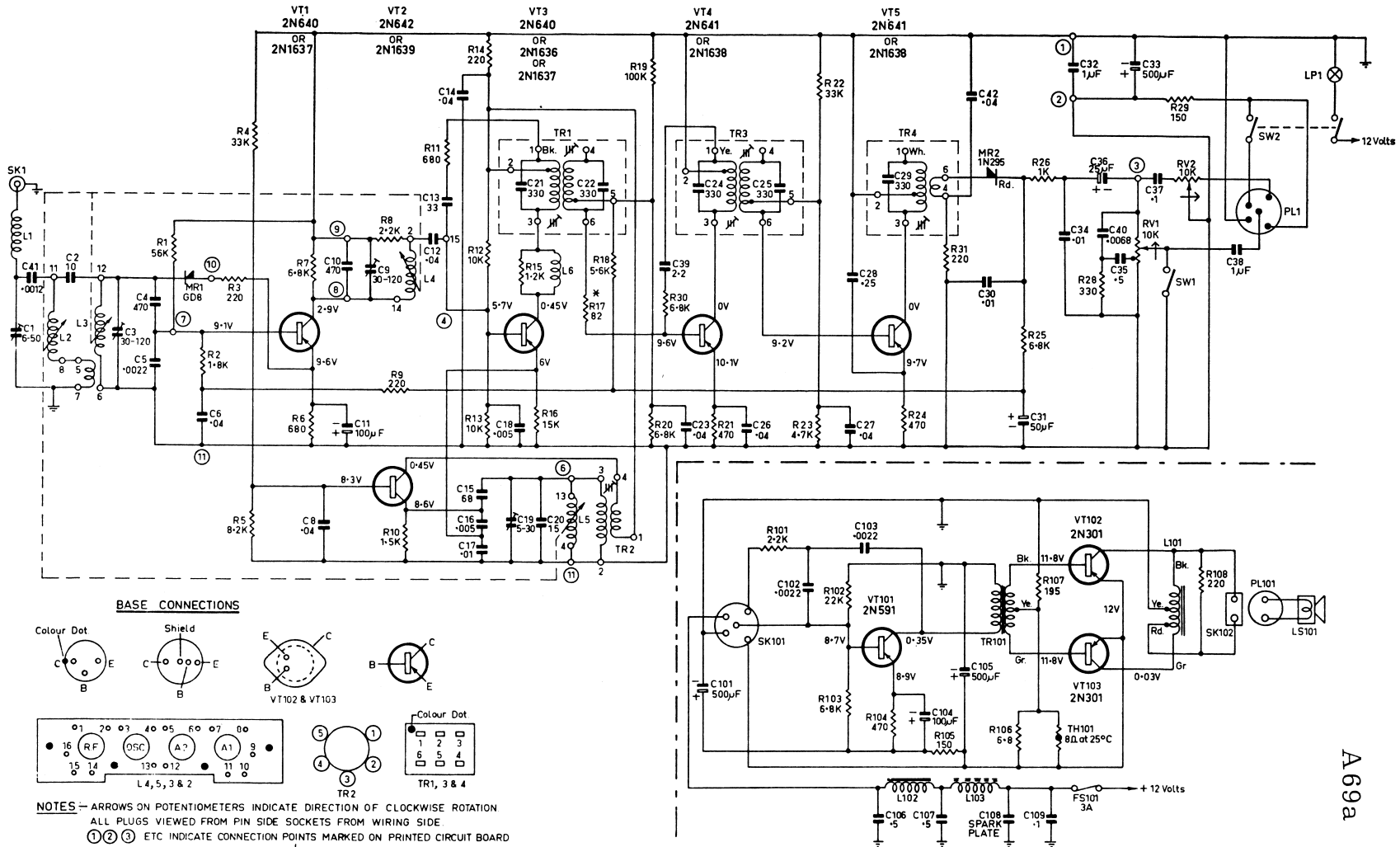
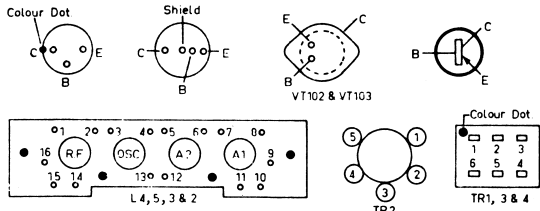


CIRCUIT A.W.A. RADIOLA MODEL 971-A



BASE CONNECTIONS



NOTES — ARROWS ON POTENTIOMETERS INDICATE DIRECTION OF CLOCKWISE ROTATION
 ALL PLUGS VIEWED FROM PIN SIDE SOCKETS FROM WIRING SIDE
 ① ② ③ ETC INDICATE CONNECTION POINTS MARKED ON PRINTED CIRCUIT BOARD
 VOLTAGES MEASURED WITH 20,000 OHM/VOLT METER

* RESISTANCE VALUE MAY VARY, SELECTED IN PRODUCTION

A69a