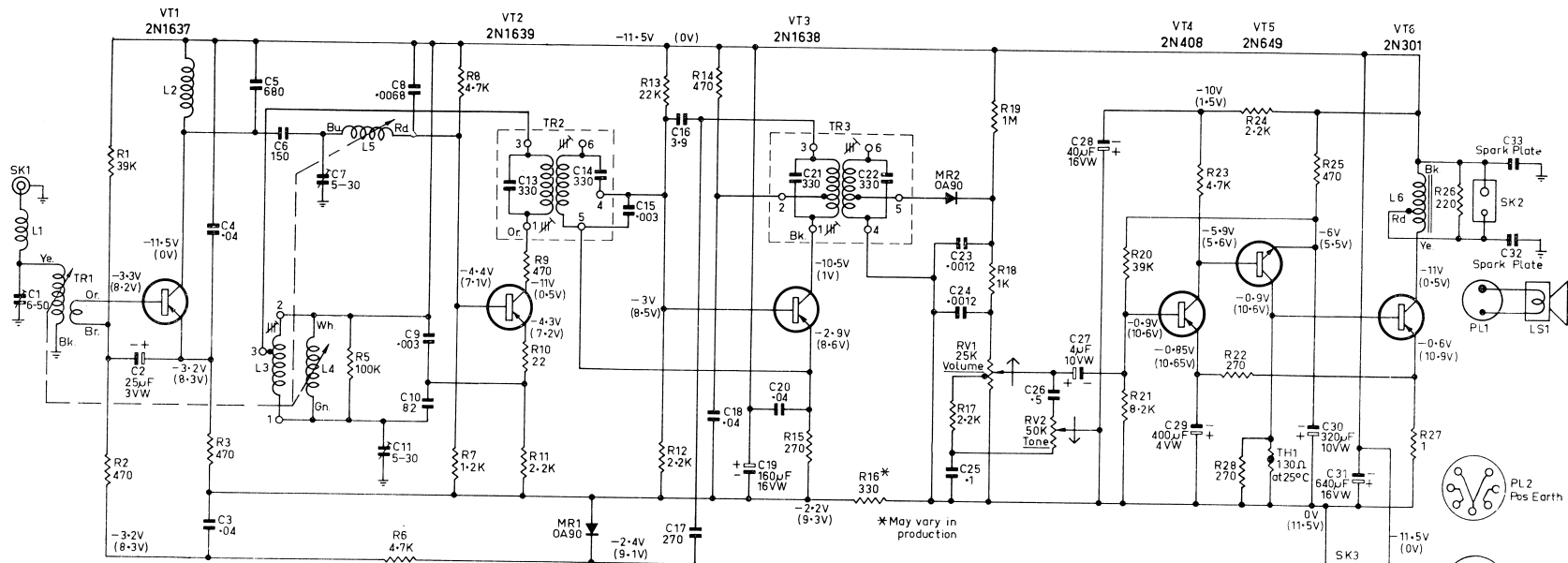
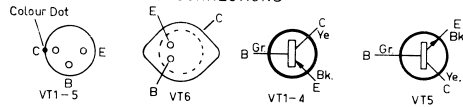


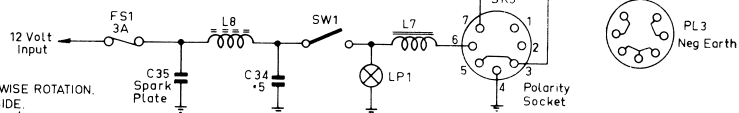
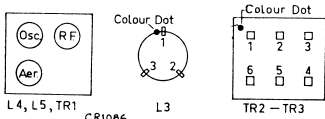
# A.W.A. 966-A.



## BASE CONNECTIONS



NOTES:- ARROWS ON POTENTIOMETERS INDICATE DIRECTION OF CLOCKWISE ROTATION.  
 ALL PLUGS VIEWED FROM PIN SIDE, SOCKETS FROM WIRING SIDE.  
 VOLTAGES MEASURED WITH NO SIGNAL INPUT WITH 20,000 OHM/VOLT METER.  
 VOLTAGES IN BRACKETS ARE FOR NEGATIVE EARTH OPERATION.



Changes since circuit was drawn.

C36 a 0.47  $\mu$ f + 80% - 20% 25 WV Disc capacitor, 227494 has been added from the negative line to earth. L2 has been replaced by a new choke assembly 52196, which includes a 10k ohms shunt resistor.

CR1086