

# CIRCUIT A.W.A. RADIOLA MODELS, 942-A, 943-A, 978-A, 979-A.

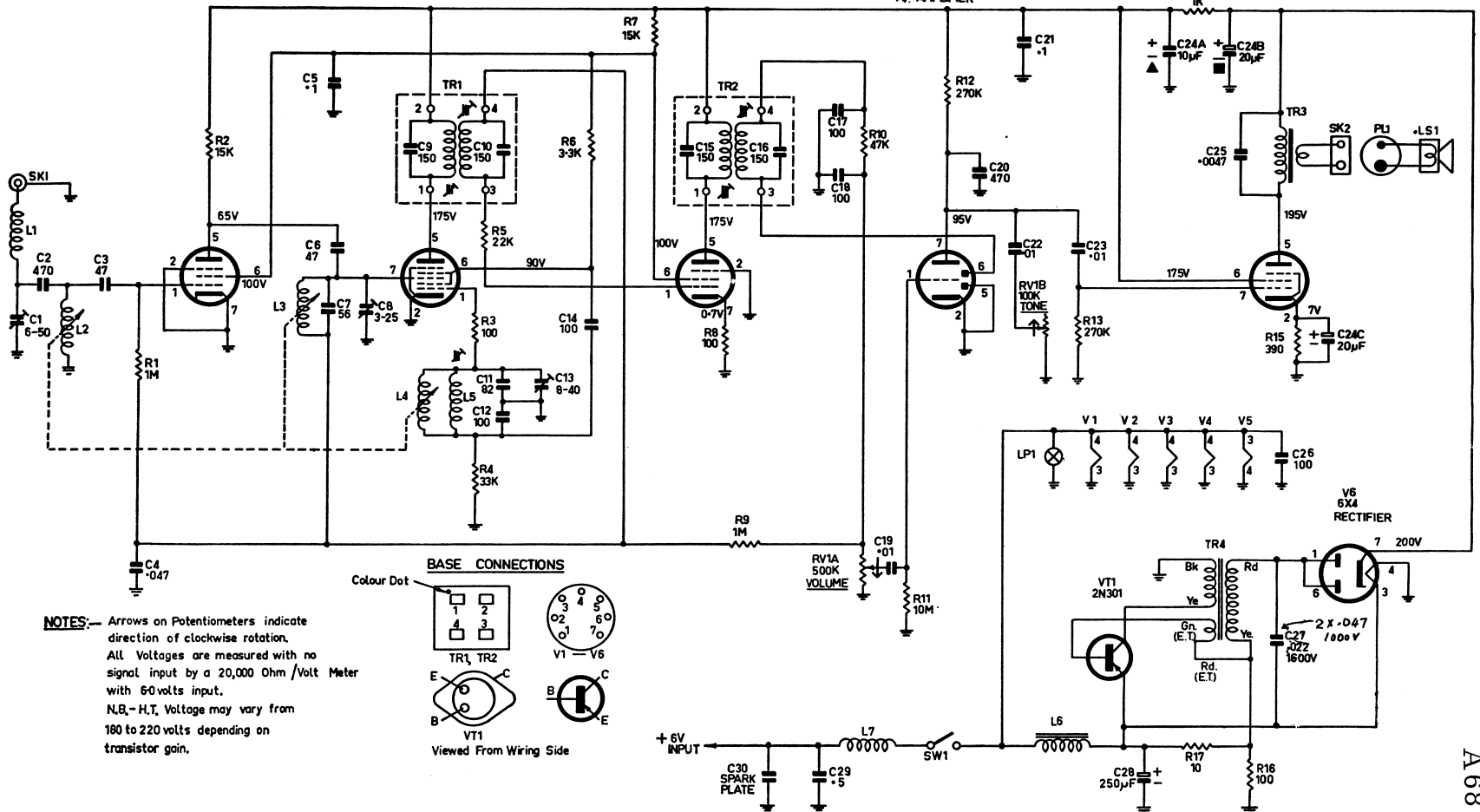
**V1**  
6BA6  
R.F. AMPLIFIER

**V2**  
6BE6  
CONVERTER

**V3**  
6BA6  
I.F. AMPLIFIER

**V4**  
6AV6  
DETECTOR, A.G.C.  
AF. AMPLIFIER

**V5**  
6AO5  
OUTPUT



**NOTES:**— Arrows on Potentiometers indicate direction of clockwise rotation.  
All Voltages are measured with no signal input by a 20,000 Ohm/volt Meter with 60 volts input.  
N.B.—H.T. Voltage may vary from 180 to 220 volts depending on transistor gain.

