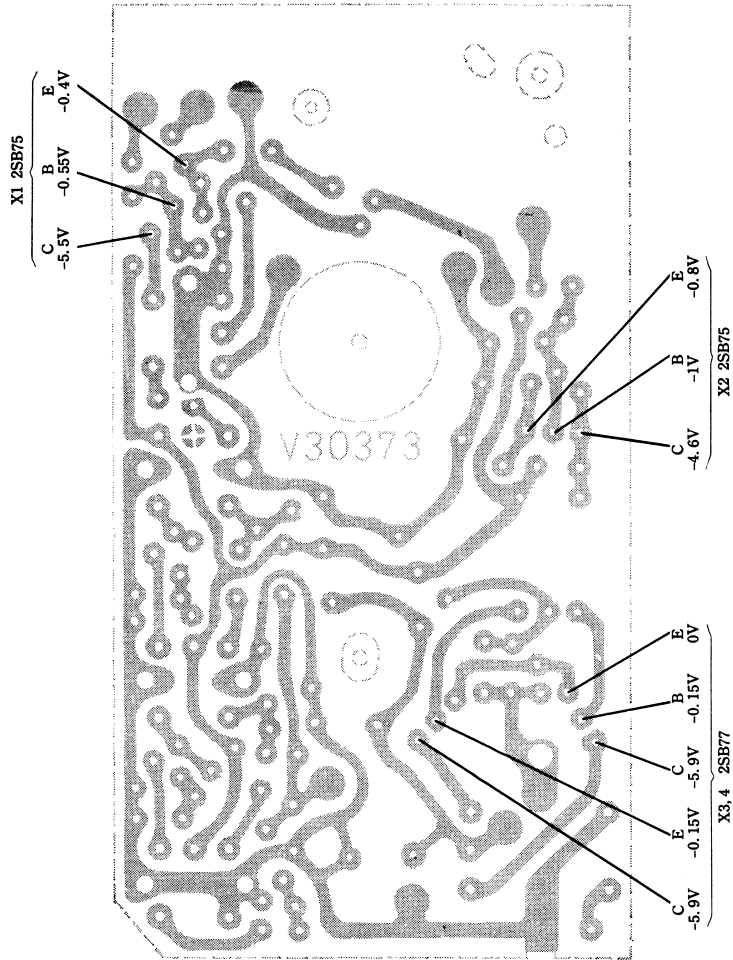
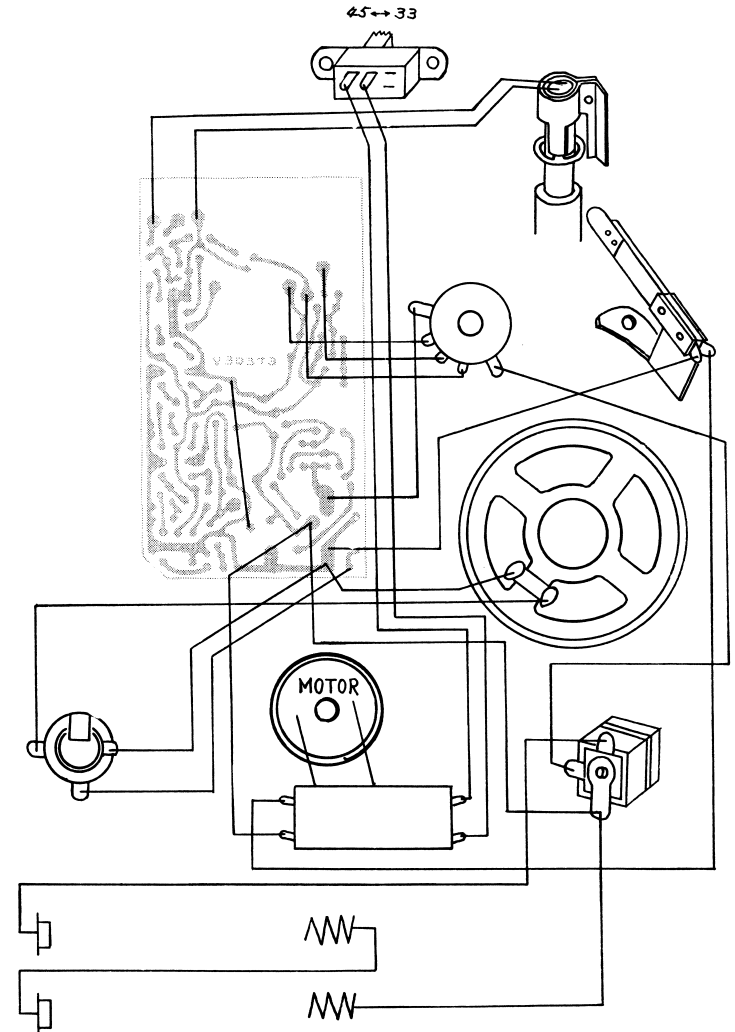


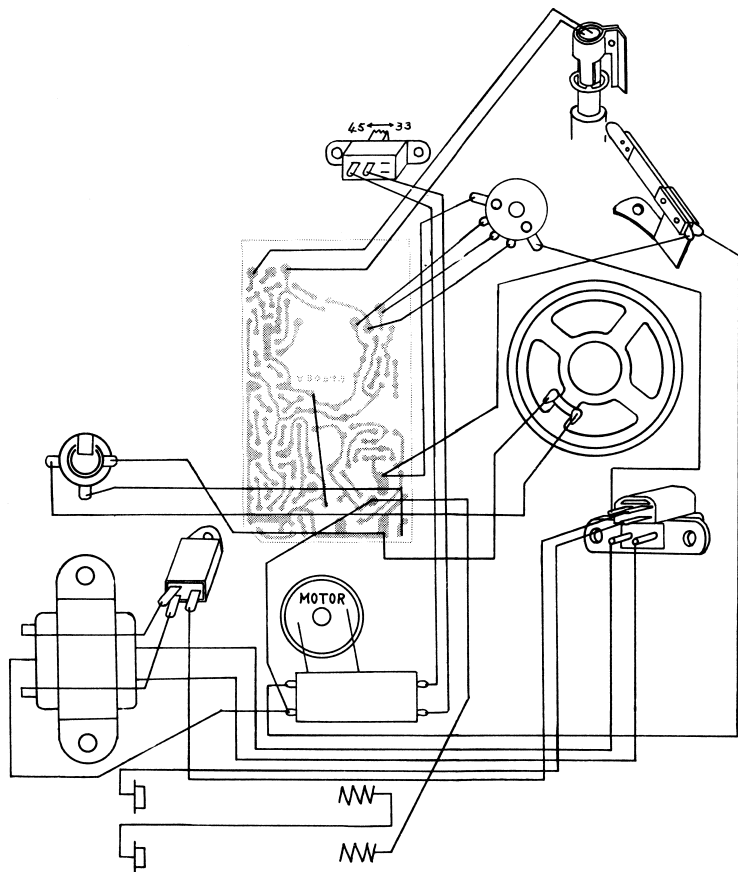
PRINTED CIRCUIT VOLTAGES



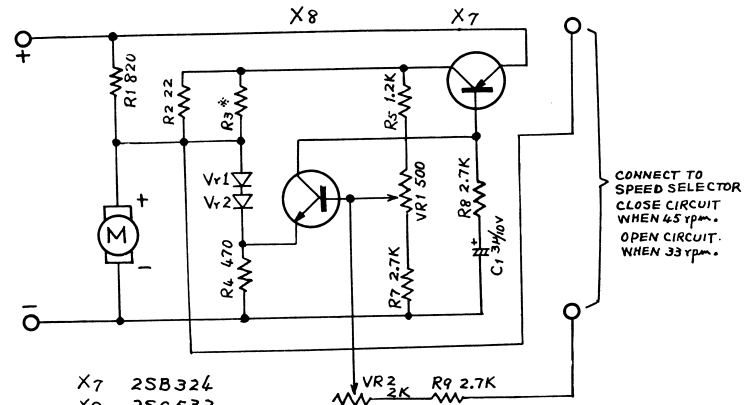
WIRING CONNECTION TO CHASSIS (MODEL 9102)



WIRING CONNECTION TO CHASSIS (MODEL 9101, TP-500E)



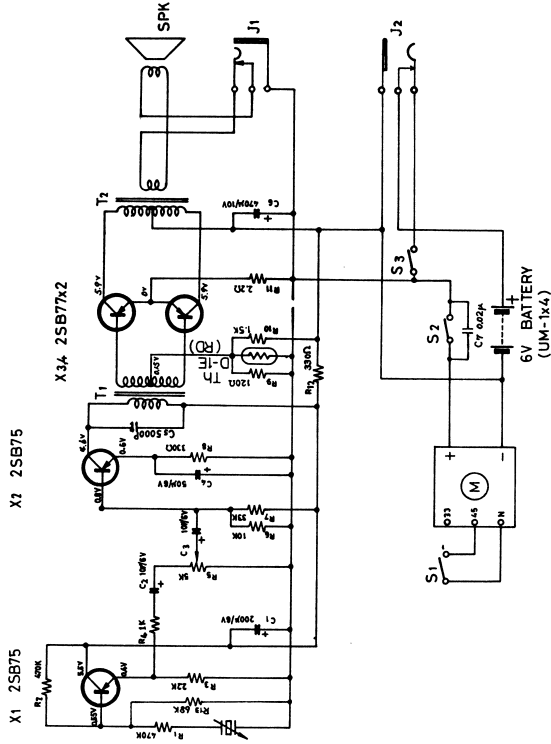
ELECTRONIC GOVERNOR CIRCUIT DIAGRAM (GE-3A Electronic Governor Ass'y)



CONNECT TO SPEED SELECTOR  
CLOSE CIRCUIT  
WHEN 45 rpm.  
OPEN CIRCUIT.  
WHEN 33 rpm.

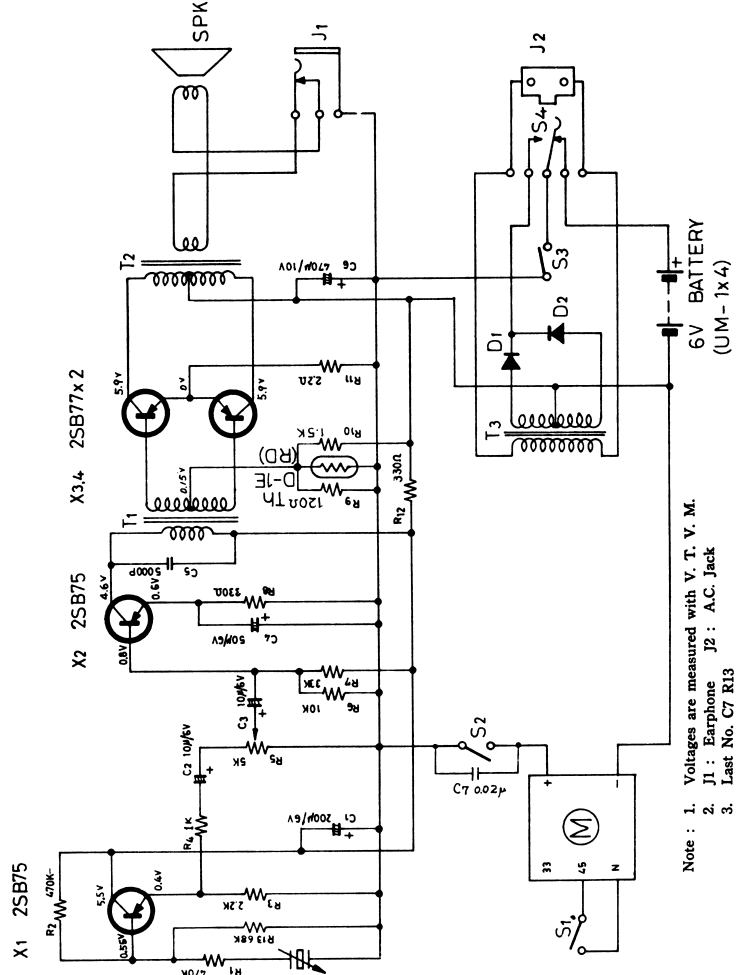
- X7 2SB324
- X8 2SC537
- Vr1 1S1210
- Vr2 1S1212
- R3 8.6Ω WITH WIRE WOUND.

SCHEMATIC DIAGRAM (MODEL 9102)

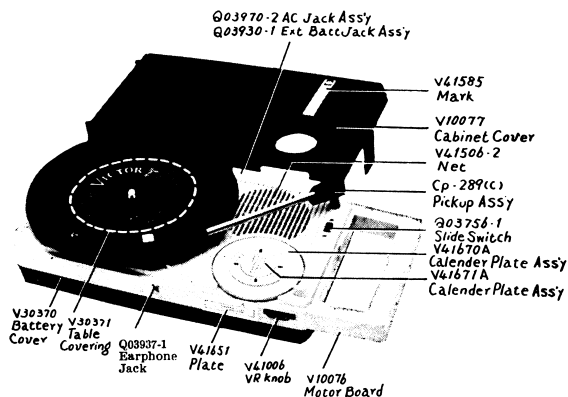


Note : 1. Voltages are measured with V. T. V. M.  
 2. J1 : Earphone J2 : AC Adaptor  
 3. Last No. C7, R13

SCHEMATIC DIAGRAM (MODEL 9101, TP-500E)



Note : 1. Voltages are measured with V. T. V. M.  
 2. J1 : Earphone J2 : A.C. Jack  
 3. Last No. C7 R13



# MODEL 9101, 9102 TP-500E, 6-TRANSISTOR PHONOGRAPH

DIMENSIONS : H-12 $\frac{3}{16}$ " W-5 $\frac{5}{8}$ " D-2 $\frac{1}{8}$ " WEIGHT : 2.9 lbs. (with battery)

## SPECIFICATIONS

Type	:	6-Transistor Portable Phonograph
Transistor	:	X1 2SB75 PU Impedance Converter
		X2 2SB75 Audio Driver
		X3 2SB77 } Audio Power Amplifier (Class B push-pull)
		X4 2SB77 }
		X5 2SB324 } Electronic Governor
		X6 2SC537 }
Thermistor	:	Th D-1E Automatic Temperature Compensation
Varistor	:	Vr1 1S1210
		Vr2 1S1212
Diode	:	D1, 2 Selenium Rectifier Model 9101 & TP-500E
Output Power	:	600 mW
Pickup	:	Ceramic Pickup with Sapphire Stylus
		Stylus Pressure 7.5 Grs.
		Stylus No. SL-2
Motor	:	2-Speed D.C. 6V Phonomotor with Electronic Speed Control (33 & 45 rpm.)
Turntable	:	4" with Covering
Speaker	:	3" Permanent Speaker
External Jack	:	Earphone Jack
		A.C. Jack . . . . . Model 9101, TP-500E
		Ext. Battery Jack (A.C. Adaptor Socket) . . . . . Model 9102
Power Source	:	D.C. 6V. JIS UM-1 $\times$ 4 pcs. Size ASA Designation "D" Cell or Equivalent
		A.C. 120V, 60Hz . . . . . Model 9101 only
		A.C. 110/220V, 50~60Hz . . . . . Model TP-500E only
Accessory	:	EP Adaptor
		A.C. Power Cord . . . . . Model 9101 & TP-500E