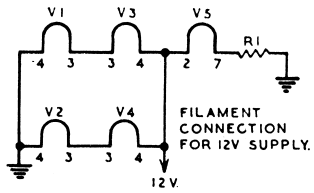
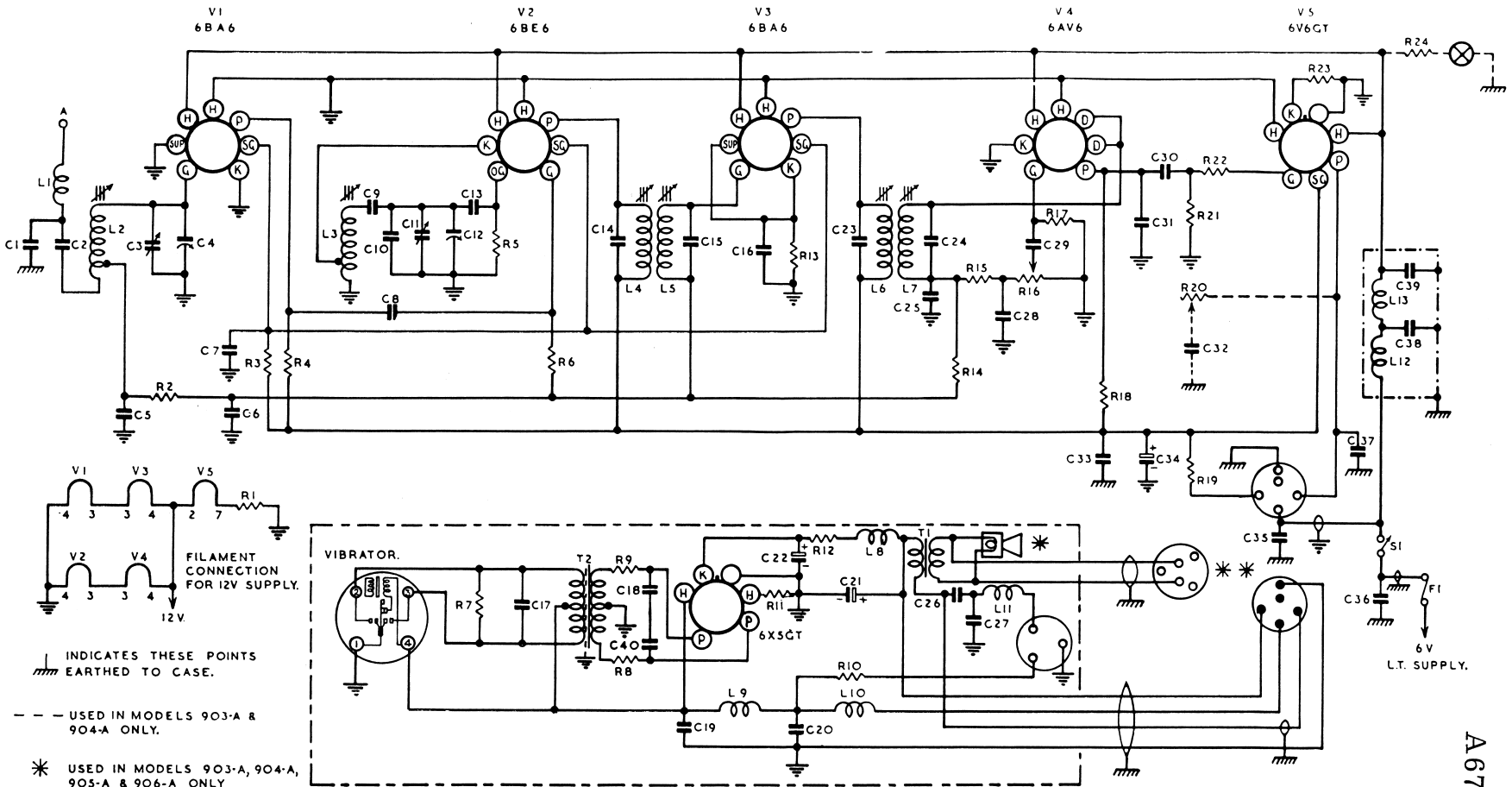


# AWA CAR RADIO MODEL 902-A, 903-A, 904-A, 905-A, 906-A



INDICATES THESE POINTS EARTHED TO CASE.

--- USED IN MODELS 903-A & 904-A ONLY.

\* USED IN MODELS 903-A, 904-A, 905-A & 906-A ONLY

\* \* USED IN MODEL 902-A ONLY.

# CAR RADIOS 902-A, 903-A, 904-A, 905-A, 906-A — CIRCUIT CODE

Code No.	Description	Part No.	Code No.	Description	Part No.	Code No.	Description	Part No.
<b>INDUCTORS.</b>								
L1	R.F. Choke .....	22798	R16	0.5 megohm Volume Control (incl. S1) .....	22999	C23	150 uuF silvered mica	
L2	Aerial Coil 540-1600 Kc/s .....	22790	R17	10 megohms 1 watt		C24	150 uuF silvered mica	
L3	Oscillator Coil 540-1600 Kc/s .....	22793	R18	0.25 megohm 1 watt		C25	100 uuF mica	
L4, L5	1st I.F. Transformer .....	22782	R19	1000 ohms 1 watt		C26	0.05 uF paper 400 V working	
L6, L7	2nd I.F. Transformer .....	22782	R20	0.1 megohm Tone Control (Models 903-A, 904-A only) .....	4540	C27	200 uuF mica	
L8	R.F. Choke .....	13809	R21	0.5 megohm 1/2 watt		C28	100 uuF mica	
L9	L.T.R.F. Choke .....	22936	R22	50,000 ohms 1/2 watt		C29	0.01 uF mica	
L10	L.T.R.F. Choke .....	22936	R23	250 ohms 3 watts (wire wound)		C30	0.01 uF mica	
L11	R.F. Choke .....	22798	R24	30 ohms 3 watts (wire wound— 12 V models only)		C31	200 uuF mica	
L12	L.T.R.F. Choke .....	22936	<b>CAPACITORS.</b>					
L13	L.T.R.F. Choke .....	22936	C1	Spark plate		C32	0.05 uF paper 200 V working (Direct Drive only)	
<b>RESISTORS.</b>								
R1	12.5 ohms 5 watt (wire wound— 12 V models only)		C2	0.01 uF mica		C33	0.1 uF paper 400 V working	
R2	0.1 megohm 1/2 watt		C3	2-21 uuF Air Trimmer .....	23158	C34	8 uF 525 P.V. Electrolytic	
R3	10,000 ohms 2 watts		C4	12-440 uuF Tuning .....	18670	C35	0.4 uF paper 200 V working	
R4	20,000 ohms 1 watt		C5	0.05 uF paper 200 V working		C36	Spark Plate	
R5	20,000 ohms 1/2 watt		C6	0.05 uF paper 200 V working		C37	0.02 uF paper 600 V working	
R6	0.5 megohm 1/2 watt		C7	0.1 uF paper 400 V working		C38	0.01 uF mica	
R7	500 ohms 1 watt (12 V models only)		C8	100 uuF mica		C39	0.01 uF mica	
R7	320 ohms 1 watt (6 V models only)		C9	470 uuF mica ± 2 1/2% padder		C40	0.01 uF paper 600 V working	
R8	100 ohms 1/2 watt		C10	14 uuF mica		<b>SWITCH.</b>		
R9	100 ohms 1/2 watt		C11	2-21 uuF Air Trimmer .....	23158	S1	Power Switch (on R16)	
R10	30 ohms 3 watts (wire wound— 12 V models only)		C12	12-440 uuF Tuning .....	18670	<b>TRANSFORMERS.</b>		
R11	10 ohms 5 watts (wire wound— 12 V models only; 6 V models pin 2 to earth)		C13	100 uuF mica		T1	Loudspeaker Transformer .....	XA1
R12	200 ohms 1 watt		C14	150 uuF silvered mica		T2	Vibrator Transformer (6 V models)	17888
R13	100 ohms 1/2 watt		C15	150 uuF silvered mica		T2	Vibrator Transformer (12 V models)	17890
R14	1.6 megohms 1/2 watt		C16	0.1 uF paper 200 V working		<b>FUSES.</b>		
R15	0,000 ohms 1/2 watt		C17	0.4 uF paper 200 V working		F1	10 amp. cartridge	
			C18	0.01 uF paper 600 V working		<b>LOUDSPEAKER.</b>		
			C19	0.4 uF paper 200 V working			6 inch permanent magnet (902-A)	AG25
			C20	0.4 uF paper 200 V working			6 inch permanent magnet (903-A, 904-A, 905-A, 906-A) .....	AG22
			C21	16 uF 525 P.V. Electrolytic		<b>VIBRATOR CARTRIDGE.</b>		
			C22	16 uF 525 P.V. Electrolytic			6 V—V5105	
							12 V—V5123	