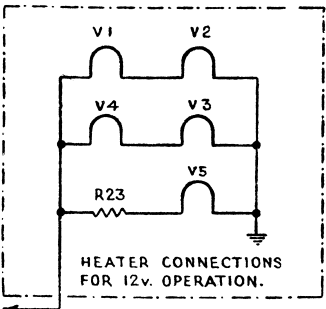
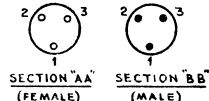
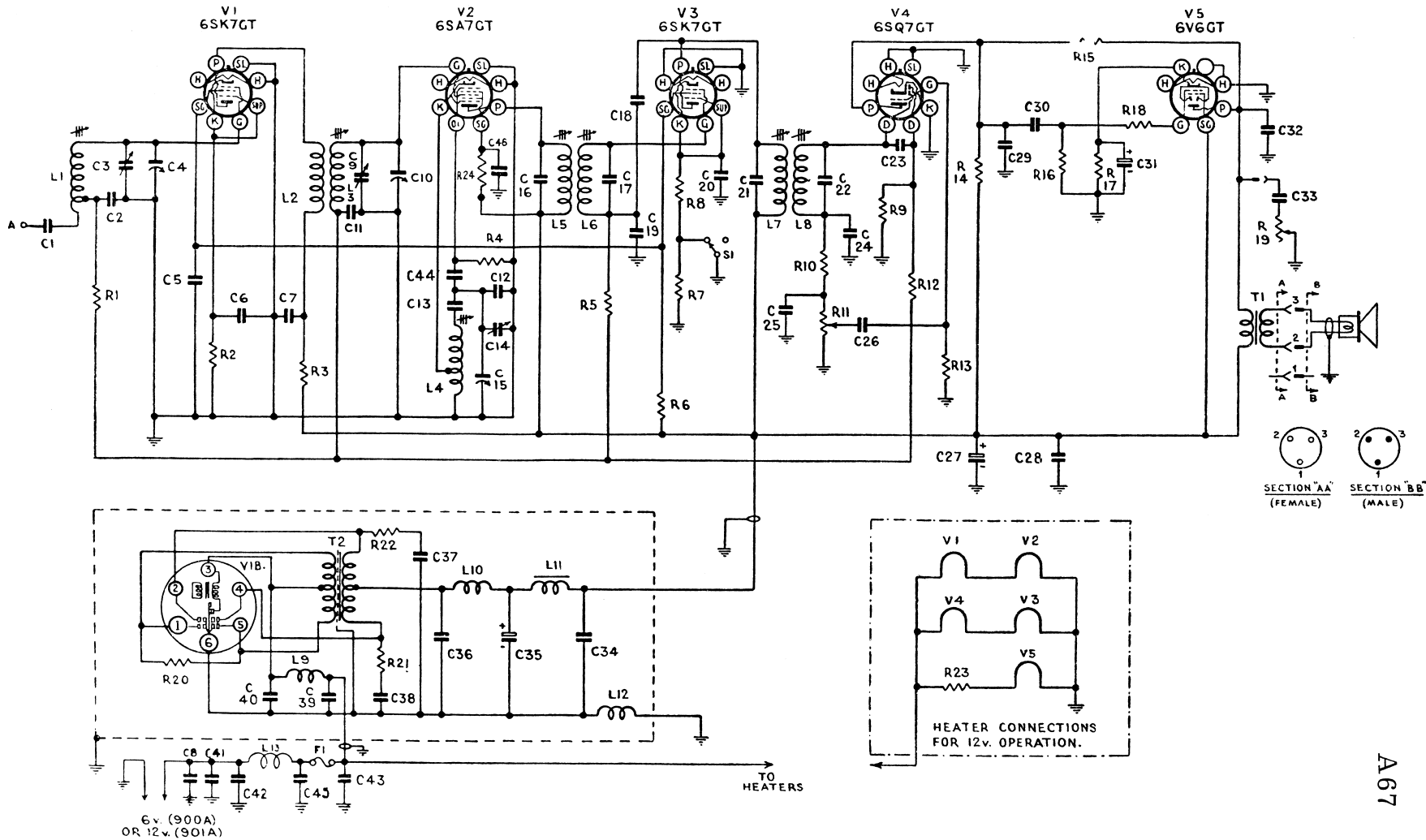


# CIRCUIT DIAGRAM MODEL 900-A



Circuit Code No.	Description	Stock Code or Part No.	Circuit Code No.	Description	Stock Code or Part No.	Circuit Code No.	Description	Stock Code or Part No.
L1	Aerial Coil, 1600-540 Kc/s	5516	R24	16,000 ohms, 2 watt (2-32,000 1 watt in parallel)		C34	200 uF Mica	
L2, L3	R.F. Coil, 1600-540 Kc/s	5519	<b>CAPACITORS</b>			C35	8 uF 525 P.V. Electrolytic	
L4	Oscillator Coil, 1600-540 Kc/s	15350				C36	0.1 uF Paper, 400 v. working	
L5, L6	1st I.F. Transformer	17646				C37	0.01 uF Paper, 600 v. working (901-A only)	
L7, L8	2nd I.F. Transformer	17646	C1	0.05 uF Paper, 200 v. working		C37	0.02 uF Paper, 600 v. working (900-A, C.D.D.I, 2, Nash only)	
L9	L.T. R.F. Filter Choke	3149	C2	0.01 uF Paper, 600 v. working		C38	0.01 uF Paper, 600 v. working (901-A only)	
L10	H.T. R.F. Filter Choke	13809	C3	3-27 uF Air Trimmer	19659	C38	0.02 uF Paper, 600 v. working (900-A, C.D.D.I, 2, Nash only)	
L11	H.T. A.F. Smoothing Choke	15317	C4	12-430 uuF Tuning		C39	0.4 uF Paper, 200 v. working	
L12	L.T. R.F. Filter Choke	3149	C5	0.1 uF Paper, 400 v. working		C40	0.4 uF Paper, 200 v. working	
L13	L.T. Smoothing Choke	3149	C6	0.1 uF Paper, 200 v. working		C41	Spark Plate	
<b>RESISTORS</b>			C7	0.1 uF Paper, 400 v. working		C42	200 uuF Mica	
R1	0.1 megohm, ½ watt		C8	200 uuF Mica		C43	0.1 uF Paper, 200 v. working	
R2	500 ohms, ½ watt		C9	3-27 uuF Air Trimmer	19659	C44	70 uuF Mica	
R3	320 ohms, ½ watt		C10	12-430 uuF Tuning		C45	200 uuF Mica	
R4	20,000 ohms, ½ watt		C11	0.02 uF Paper, 600 v. working		C46	0.1 uF Paper, 400 v. working	
R5	0.1 megohm, ½ watt		C12	12 uuF Mica		<b>TRANSFORMERS</b>		
R6	320,000 ohms, 2 watt		C13	440 uuF Mica				
R7	5,000 ohms, ½ watt		C14	3-27 uuF Air Trimmer	19659			
R8	500 ohms, ½ watt		C15	12-430 uuF Tuning		T1	Loudspeaker Transformer	XAI
R9	1.6 megohms, ½ watt		C16	70 uuF Mica		T2	Vibrator Transformer, 900-A	15319
R10	0.1 megohm, ½ watt		C17	70 uuF Mica		T2	Vibrator Transformer, 901-A	15352
R11	0.5 megohm, Volume Control	19826	C18	9 uuF Mica		<b>LOUDSPEAKER</b>		
R12	1.6 megohms, ½ watt		C19	0.01 uF Paper, 600 v. working				
R13	10 megohms, 1 watt		C20	0.1 uF Paper, 200 v. working				
R14	0.25 megohm, 1 watt		C21	70 uuF Mica		<b>VIBRATOR</b>		
R15	1 megohm, ½ watt		C22	70 uuF Mica				
R16	0.5 megohm, ½ watt		C23	50 uuF Mica				
R17	250 ohms, 3 watt, Wire-wound		C24	100 uuF Mica		<b>FUSES</b>		
R18	50,000 ohms, ½ watt		C25	100 uuF Mica				
R19	0.1 megohm, Tone Control	3163	C26	0.02 Paper, 600 v. working				
R20	320 ohms, 1 watt (900-A, C.D.D.I, 2, Nash)		C27	8 uF, 525 P.V. Electrolytic		V5124	(900-A, C.D.D.I, 2, Nash)	
R20	500 ohms, 1 watt (901-A)		C28	0.1 uF Paper, 400 v. working		V5258	(901-A)	
R21	100 ohms, 1 watt		C29	200 uuF Mica		<b>FUSES</b>		
R22	100 ohms, 1 watt		C30	0.02 uF Paper, 600 v. working				
R23	12.5 ohms, 5 watts, Wire- wound (901-A only)		C31	25 uF 40 P.V. Electrolytic				
			C32	0.0025 uF Paper, 600 v. working		F1	10 amp. (900-A, C.D.D.I, 2, Nash)	
			C33	0.05 uF Paper, 400 v. working		F2	5 amp. (901-A)	