

NIVICO MODEL 8TH - 201

X<sub>1</sub> 2SA69 (OC169)

X<sub>3</sub> 2SA101 (MC101)

X<sub>4</sub> 2SA101 (MC101)

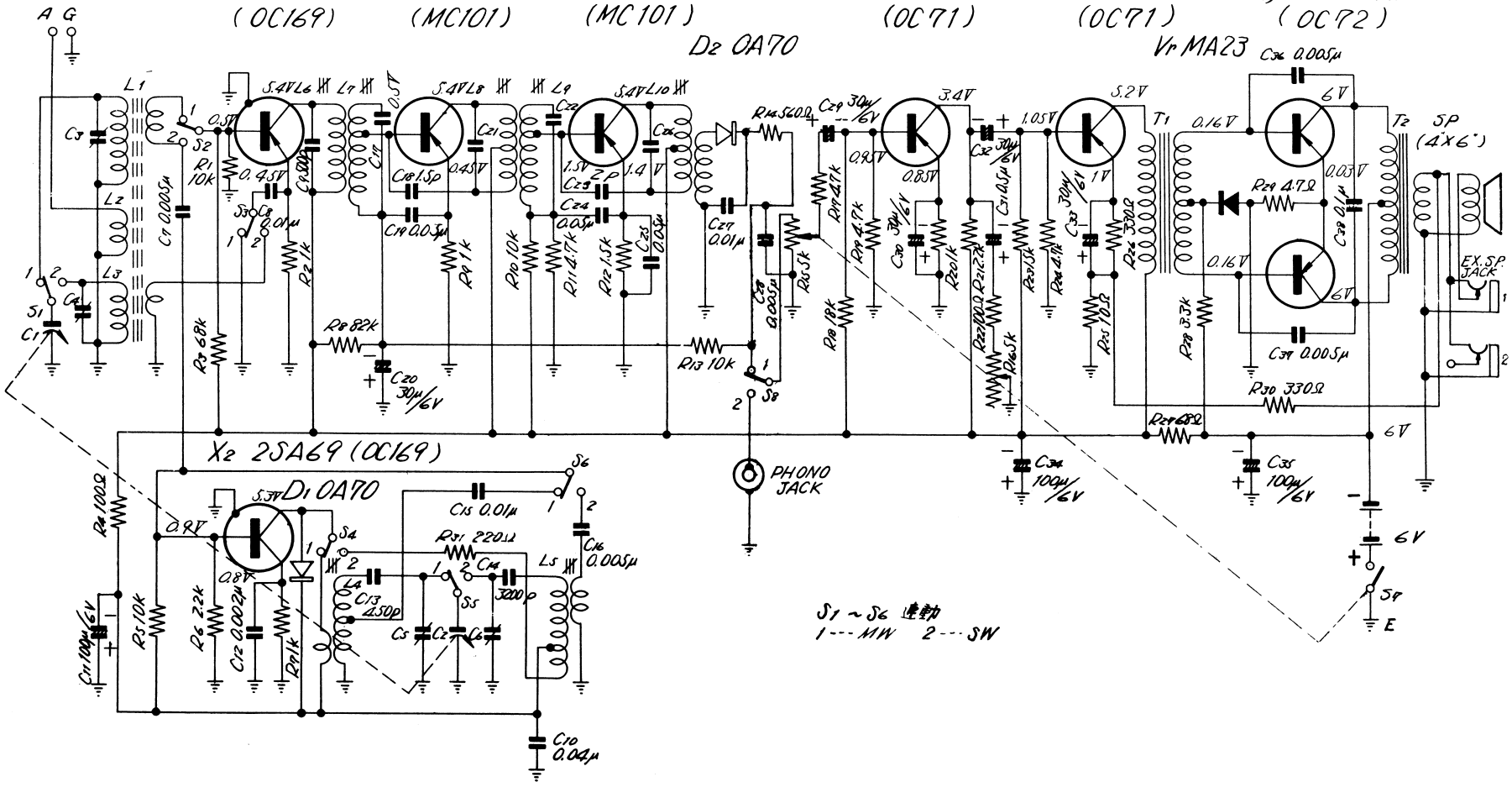
X<sub>5</sub> 2SB171 (OC71)

X<sub>6</sub> 2SB171 (OC71)

X<sub>7,8</sub> 2SB172 (OC72)

D<sub>2</sub> OA70

V<sub>r</sub> MA23 C<sub>26</sub> 0.005μ



S<sub>1</sub> ~ S<sub>6</sub> 連動  
1 --- MIN 2 --- SW