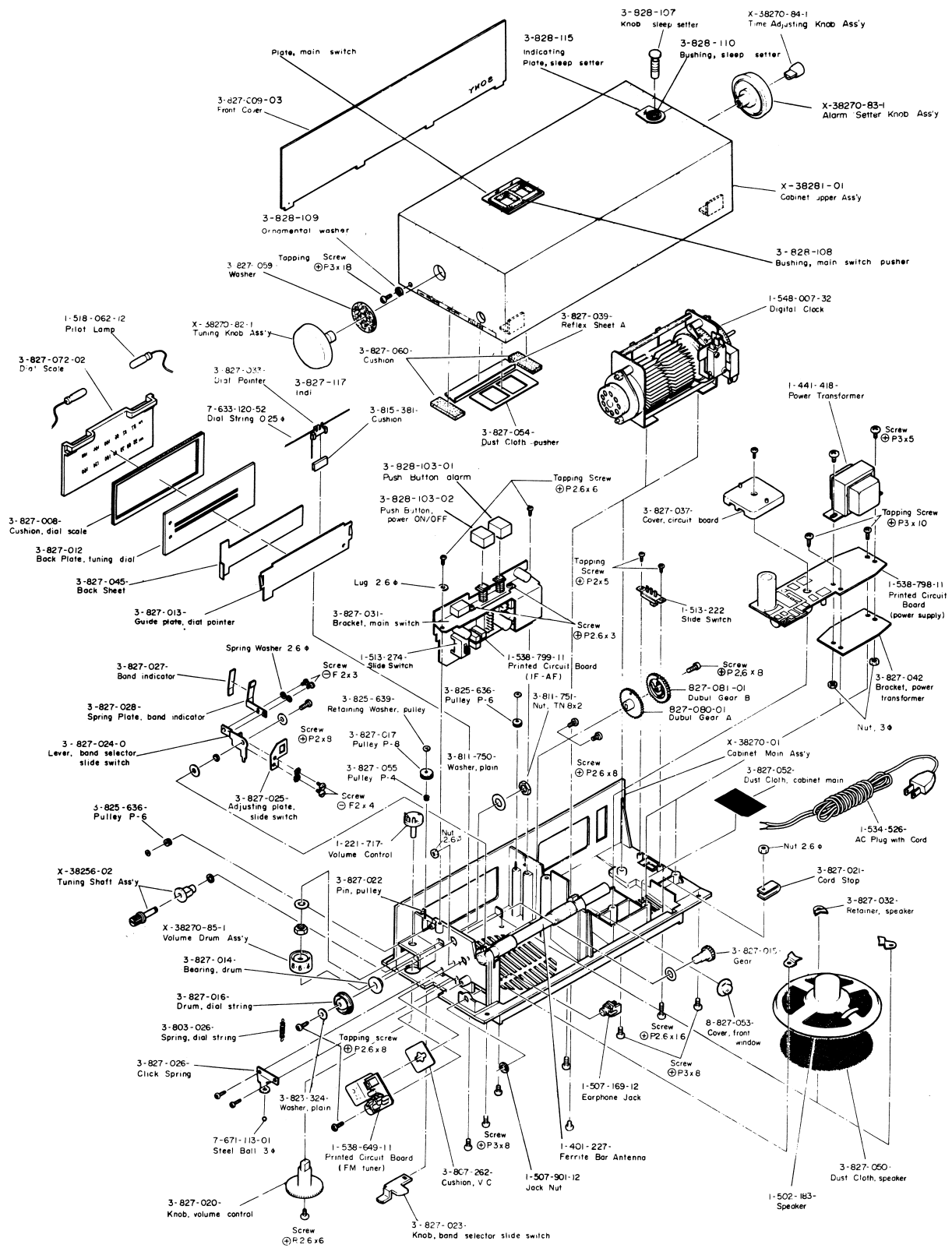
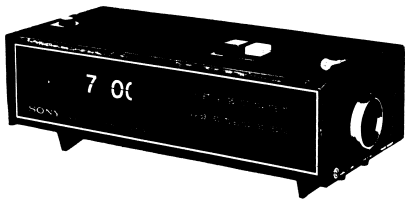


Exploded Diagram



S31-1

Sony 8FC-69W



Sony 8FC-69W

S31-1

X101 2SC629

X102 2SC629

X201 2SC403A

X202 2SC403A

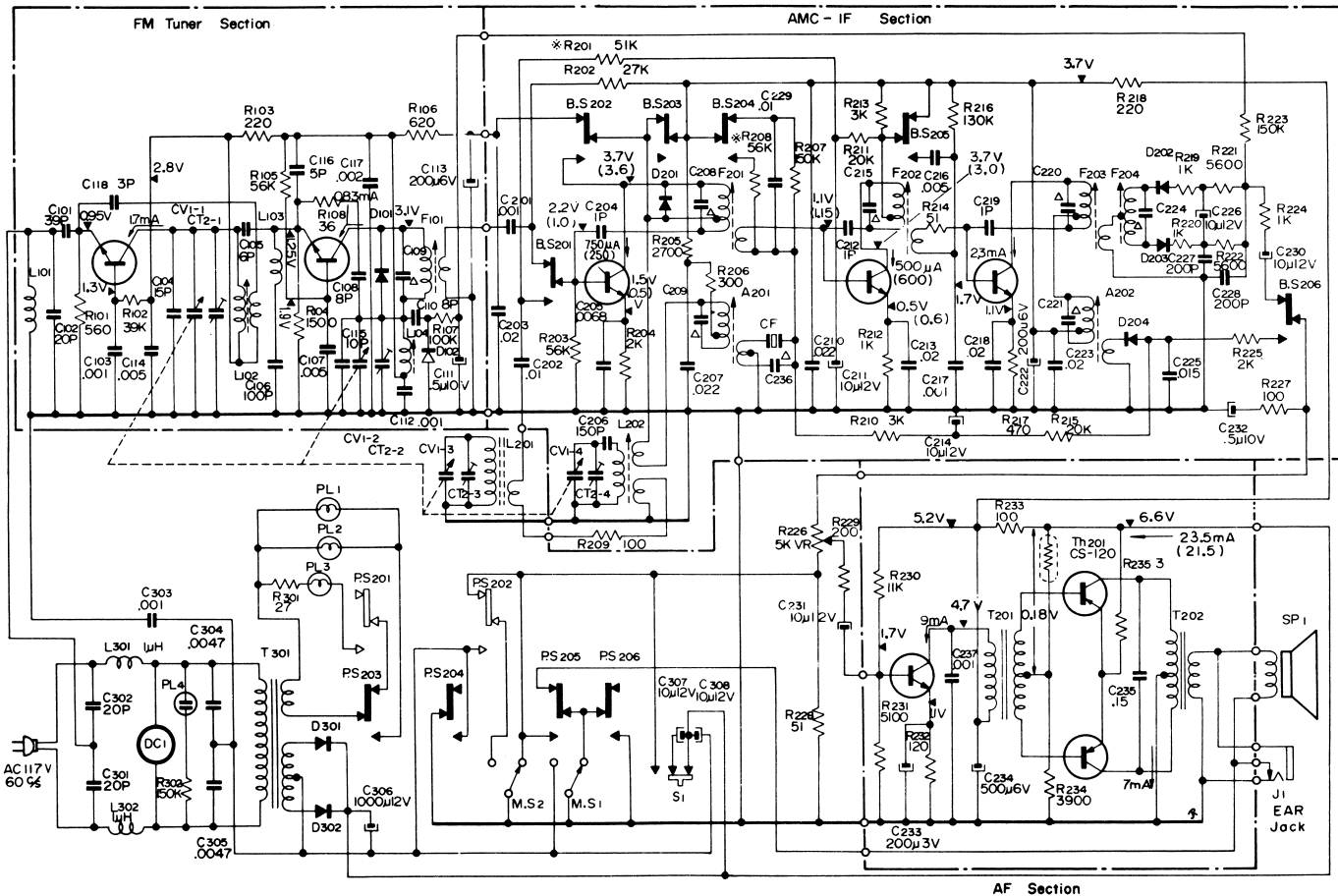
X203 2SC403A

D101 IT26 D102 IT240

D201 IT26

D204 IT23

D202,203 IT26



D301 SD1Z

D302 SD1Z

X204 2SC633

X205, 206 2SB383

NOTE

1.  $\Delta$  Built in IFT.
2. Values in the Parentheses are for AM.
3. \*: Resistance Value to be selected.
4. B.S.201-206 : Band Setting Switch.
5. FM  $\blacktriangleright$  Band Setting Switch shown is set to FM position.
6. AM  $\blacktriangleright$
7. P.S.201-202 : Automatic Switch.
8. DC1 : Digital Clock.
9. PL<sub>1,2,3</sub> : Pilot Lamp.
10. PL<sub>4</sub> : Neon Lamp.
11. S<sub>1</sub> : Buzzer / Radio Switch.
12. MS<sub>1</sub> : Micro Switch (ALARM)
13. MS<sub>2</sub> : Micro Switch (BUZZER)