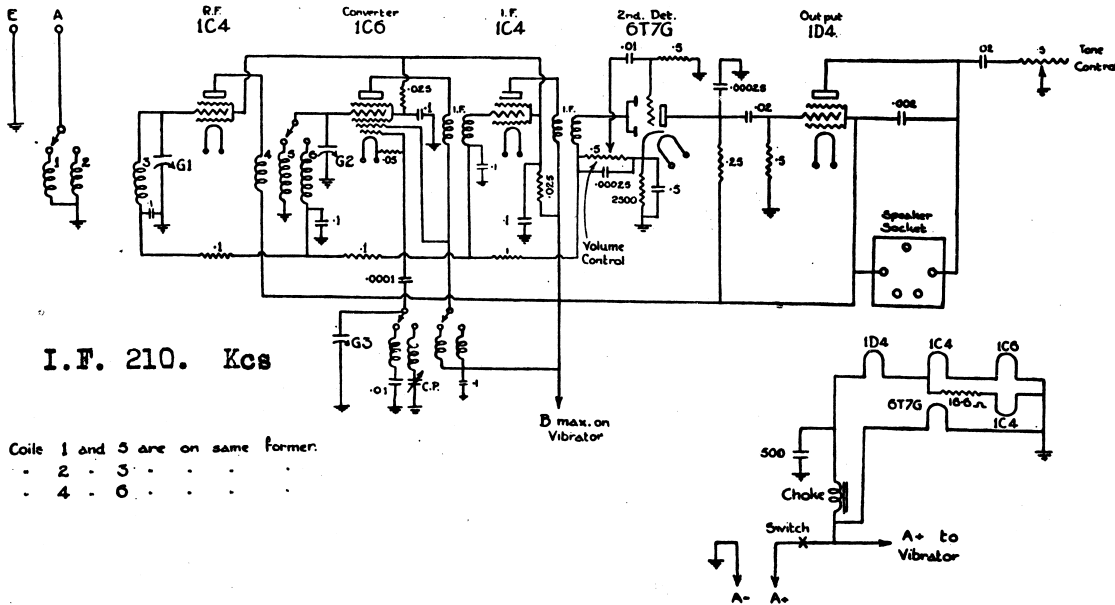


ARISTOCRAT 857M

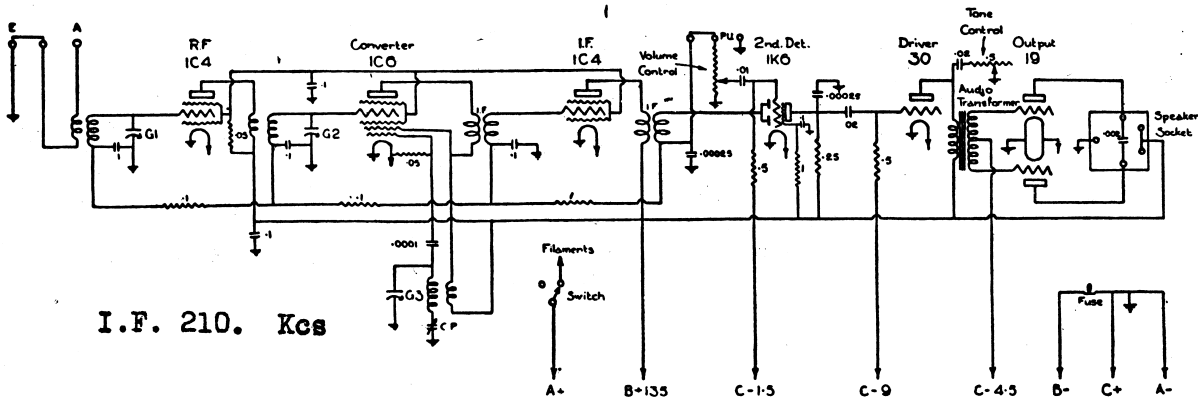


BATTERY CONSUMPTION.
 A:- 1.2 Amperes from
 6 volt Accumulator.

MODEL 857M. - 5 Valve
 Dual Wave Vibrator
 operated with one 6
 volt "A" battery, in
 mantel cabinet, fit-
 ted with automatic

volume control,
 tone control, 6"
 edgelit dial and
 8" dynamic speak-
 er.

ARISTOCRAT 866



BATTERY CONSUMPTION
 A:- .8 Amperes.
 B:- 12 to 18 Mill-
 iamperes.

MODEL 866. - 6 Valve
 Broadcast with three
 45 volt "B" batter-
 ies and one 2 volt
 "A", in standard up-
 right or standard

console cabinet,
 fitted with auto-
 matic volume con-
 trol, 8" edgelit
 dial and 8" dyna-
 mic speaker.