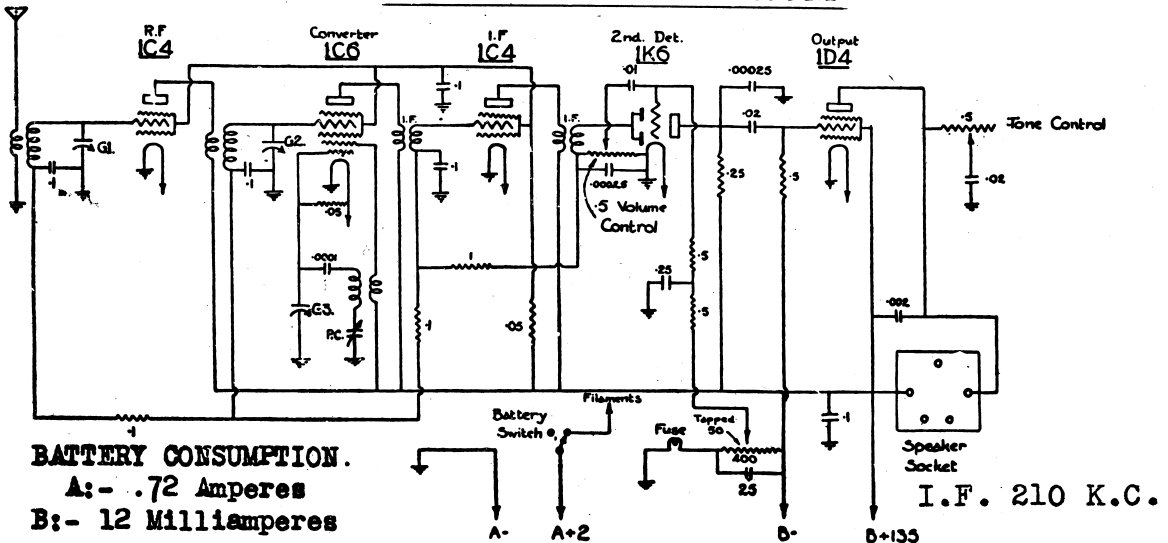


# ARISTOCRAT RADIO

Manufactured by Syme E.S.M. Pty.Ltd. 17 Glebe St. Glebe. N.S.W

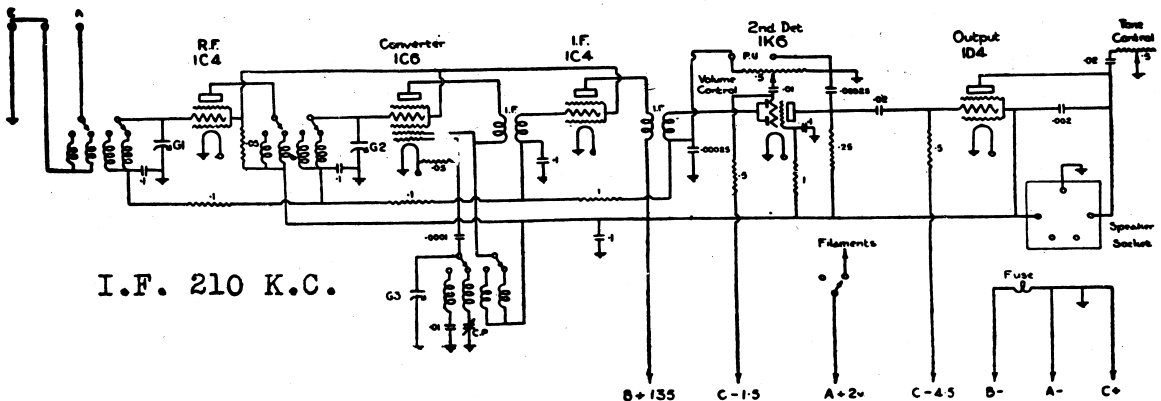
## ARISTOCRAT 855-855M



**MODEL 855.** - 5 Valve Broadcast with heavy duty "B" batteries and one 2 volt "A", in standard upright or standard console cabinet, fitted with automatic volume control, 8" edgelit dial and 10" dynamic speaker.

**MODEL 855M.** - 5 Valve Broadcast with heavy duty "B" batteries and one 2 volt "A", in mantel cabinet, fitted with automatic volume control. 6" edgelit dial and 8" dynamic speaker.

## ARISTOCRAT 856



**BATTERY CONSUMPTION.**

**A:** - .72 Amperes  
**B:** - 12 milliamperes

**MODEL 856.** - 5 Valve Dual Wave with three 45 volt "B" batteries and one 2 volt "A", in standard upright or standard

console cabinet, fitted with automatic volume control, 8" edgelit dial, tone control and 10" dynamic speaker.