

**STEREOPHONIC CONSOLE RADIOGRAM
"WINDSOR" MODEL 8201**

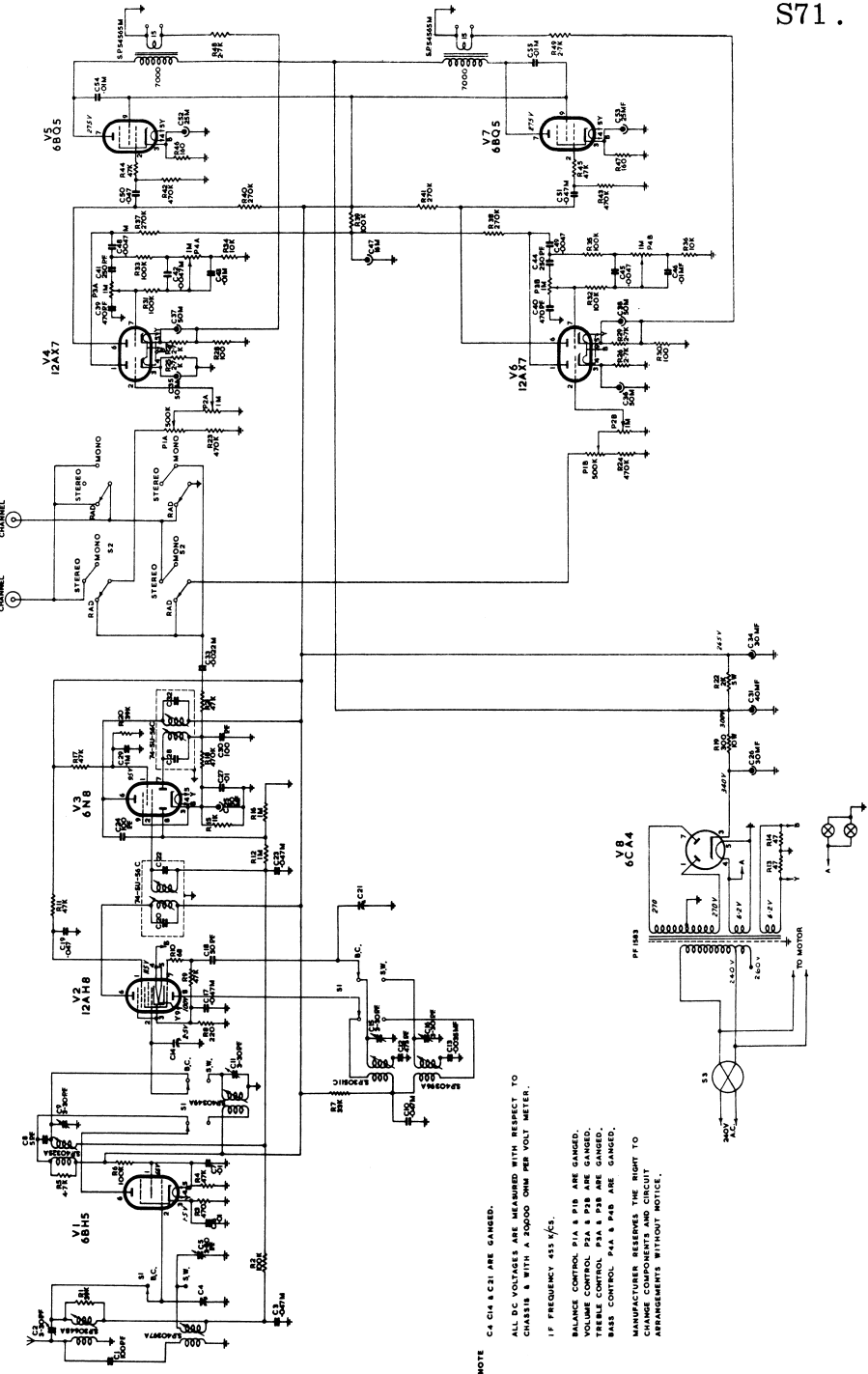
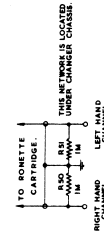
DESCRIPTION:

- An eight valve, dual waveband A.C. operated stereophonic console radiogram incorporating:-
- Four loudspeakers, two 9" x 6" permanent magnet type, and two 6" tweeters.
- Two loops of constant inverse feedback.
- Separate bass and treble controls.
- Four speed stereophonic mixer changer.
- High fidelity pick-up for stereophonic and monaural reproduction.
- Low distortion twin audio amplifiers.
- Twin isolated baffle systems.

SPECIFICATION

TUNING RANGE: 530 - 1620 Kc/s
4.75 - 16.2 Mc/s

**STC MODEL 8201
WINDSOR STEREOGRAM**



NOTE C4 C14 & C21 ARE GANGED.
ALL DC VOLTAGES ARE MEASURED WITH RESPECT TO CHASSIS & WITH A 2000 OHM PER VOLT METER.
IF FREQUENCY 455 Kc/s.
BALANCE CONTROL. P1A & P1B ARE GANGED.
VOLUME CONTROL. P1A & P1B ARE GANGED.
TREBLE CONTROL. P3A & P3B ARE GANGED.
BASS CONTROL. P3A & P3B ARE GANGED.
MANUFACTURER RESERVES THE RIGHT TO CHANGE COMPONENTS AND CIRCUIT ARRANGEMENTS WITHOUT NOTICE.