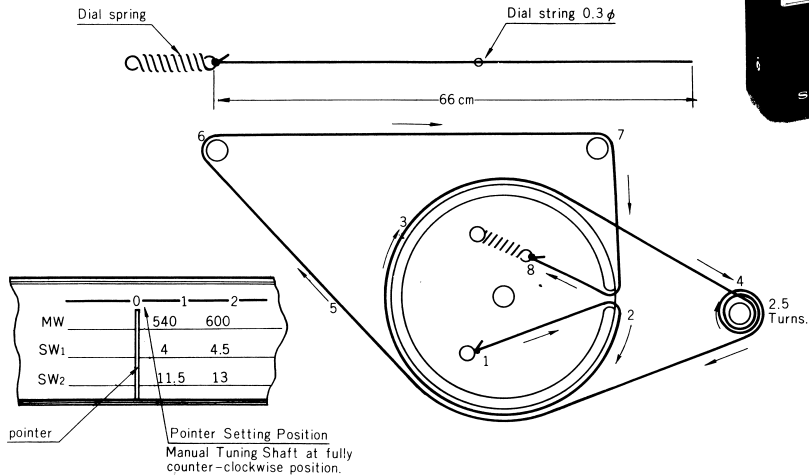


S10-1

# SONY MODEL 7R-76



### Dial Cord Stringing



### Frequency Coverage and Tracking Adjustment

Adj. Item	SSG (Standard Signal Generator) Coupling	SSG. Freq.	Receiver Dial Setting	Connect VTVM	Adjust	Remarks
MW Frequency Coverage	Loop Antenna	520 kc (1000 c/s 30% AM MOD)	Fully Left	Across 8 $\Omega$ Load Resistor	MW OSC Coil (L <sub>1</sub> )	Adjust for maximum deflection, meter reading Volume Control: MAX Power Supply: DC 6V
		1680 kc ( " )	Fully Right		MW OSC Trimmer (C <sub>71</sub> )	
MW Tracking	—ditto—	620 kc ( " )	Tune to 620 kc signal	—ditto—	MW ANT Coil (L <sub>A1</sub> )	—ditto—
		1400 kc ( " )	Tune to 1400kc signal		MW ANT Trimmer (C <sub>71</sub> )	
SW <sub>1</sub> Frequency Coverage	—ditto—	3.8 Mc ( " )	Fully Left	—ditto—	SW <sub>1</sub> OSC Coil (L <sub>2</sub> )	—ditto—
		12.3 Mc ( " )	Fully Right		SW <sub>1</sub> OSC Trimmer (C <sub>73</sub> )	
SW <sub>1</sub> Tracking	—ditto—	3.8 Mc ( " )	Tune to 3.8 Mc signal	—ditto—	SW <sub>1</sub> ANT Coil (L <sub>A2</sub> )	—ditto—
		12.3 Mc ( " )	Tune to 12.3 Mc signal		SW <sub>1</sub> ANT Trimmer (C <sub>73</sub> )	
SW <sub>2</sub> Frequency Coverage		11.0 Mc ( " )	Fully Left	—ditto—	SW <sub>2</sub> OSC Coil (L <sub>3</sub> )	—ditto—
		23.0 Mc ( " )	Fully Right		SW <sub>2</sub> OSC Trimmer (C <sub>74</sub> )	
SW <sub>2</sub> Tracking	—ditto—	11.0 Mc ( " )	Tune to 11.0 Mc signal	—ditto—	SW <sub>2</sub> ANT Coil (L <sub>A3</sub> )	—ditto—
		23.0 Mc ( " )	Tune to 23.0 Mc signal		SW <sub>2</sub> ANT Trimmer (C <sub>74</sub> )	

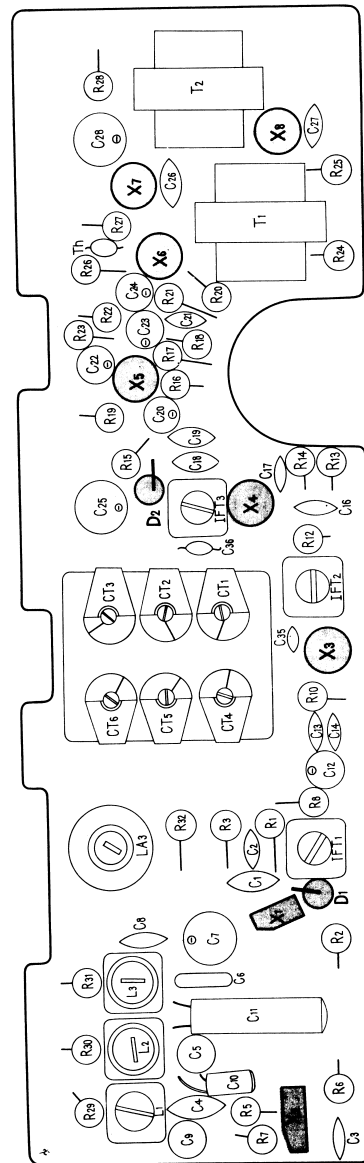
⚡ Dummy Antenna (SW<sub>2</sub>)

Unsolder the white lead at the Telescopic Antenna Terminal.

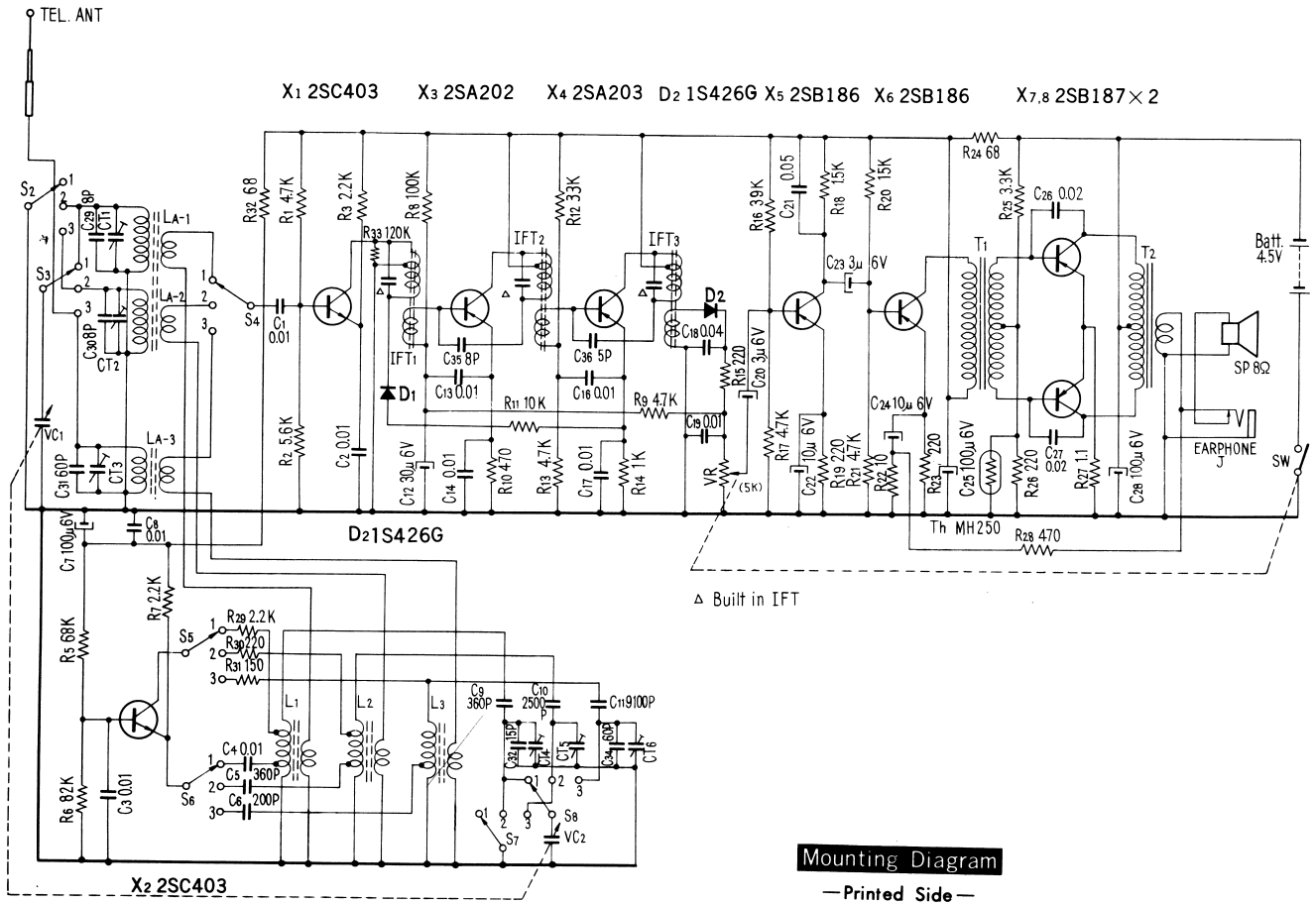
Connect the SSG to the white lead and ground of the receiver through the Dummy Antenna.

### Mounting Diagram

—Parts Side—



**Circuit Schematic**



**Mounting Diagram**

— Printed Side —

