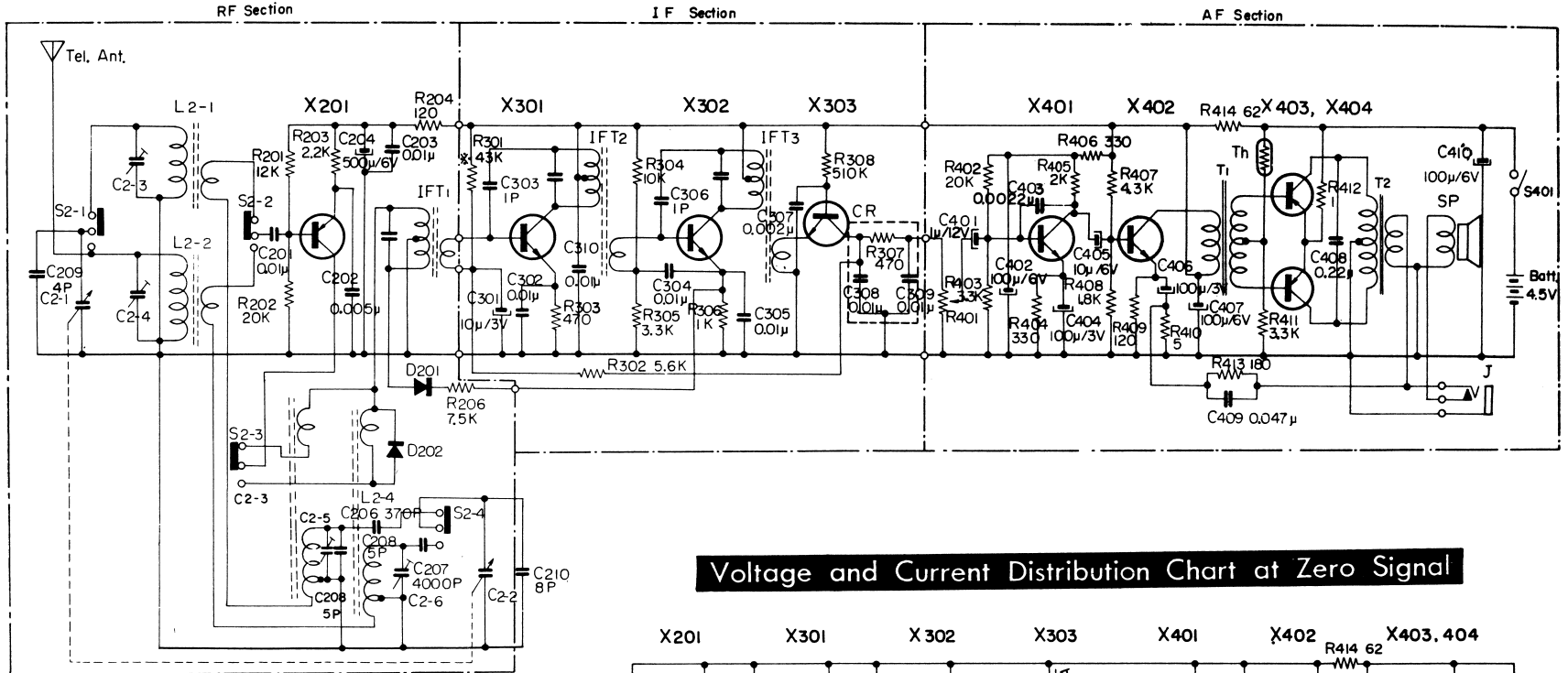
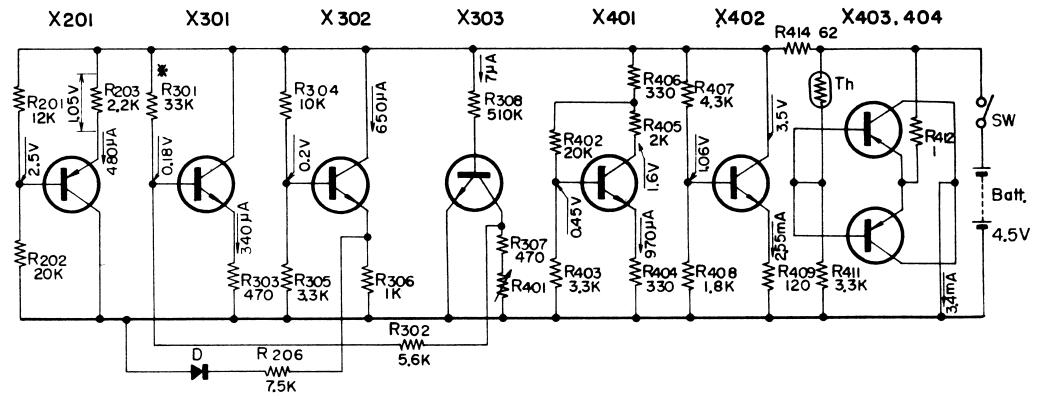


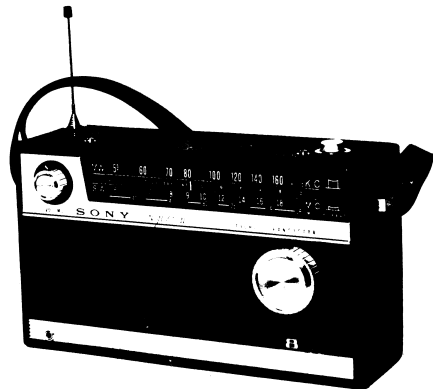
Schematic Diagram



Voltage and Current Distribution Chart at Zero Signal



* To be adjusted



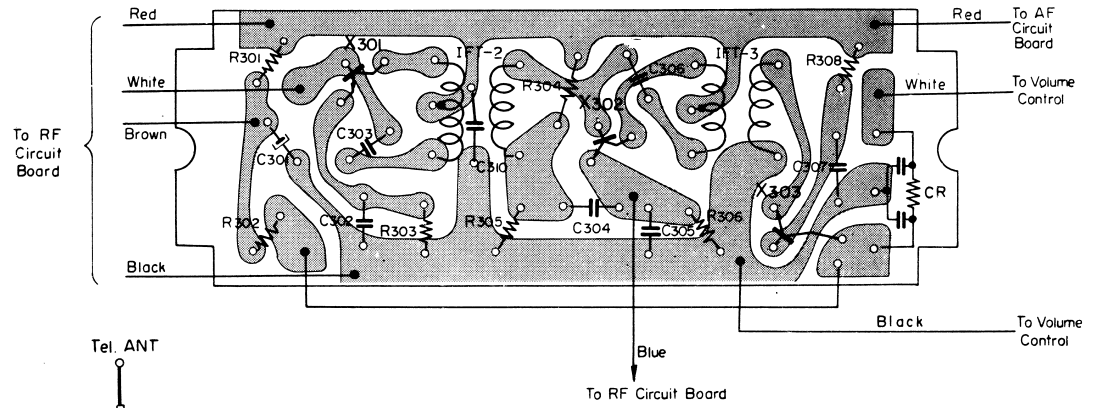
* To be adjusted

S7a

SONY 7R-71Y

Mounting Diagram
IF Circuit Board

—Printed Side—



Mounting Diagram
RF Circuit Board

—Printed Side—

