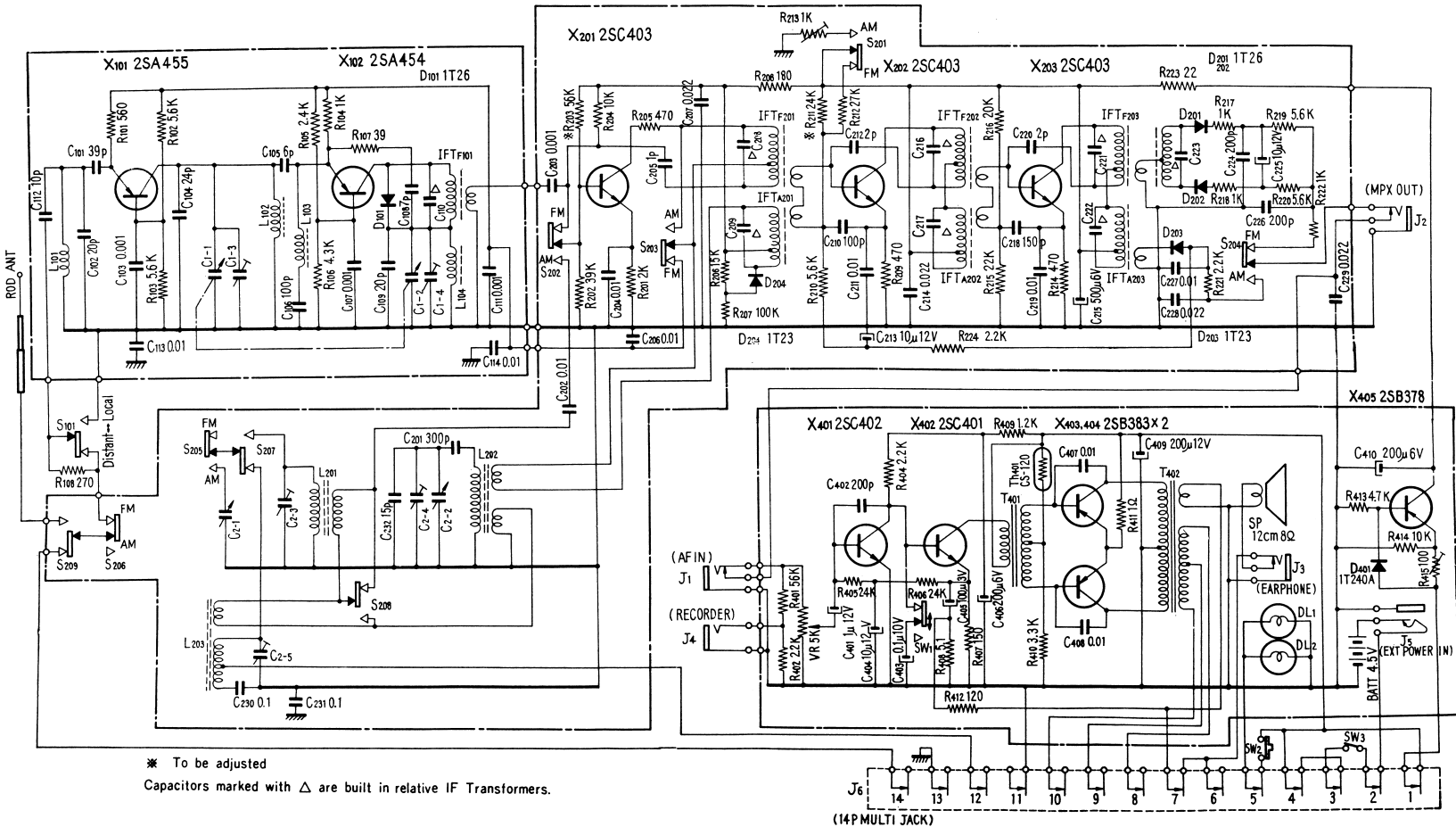


Schematic Diagram



* To be adjusted
 Capacitors marked with Δ are built in relative IF Transformers.

(14P MULTI JACK)

