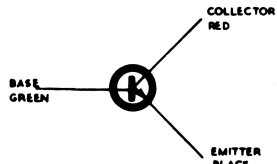
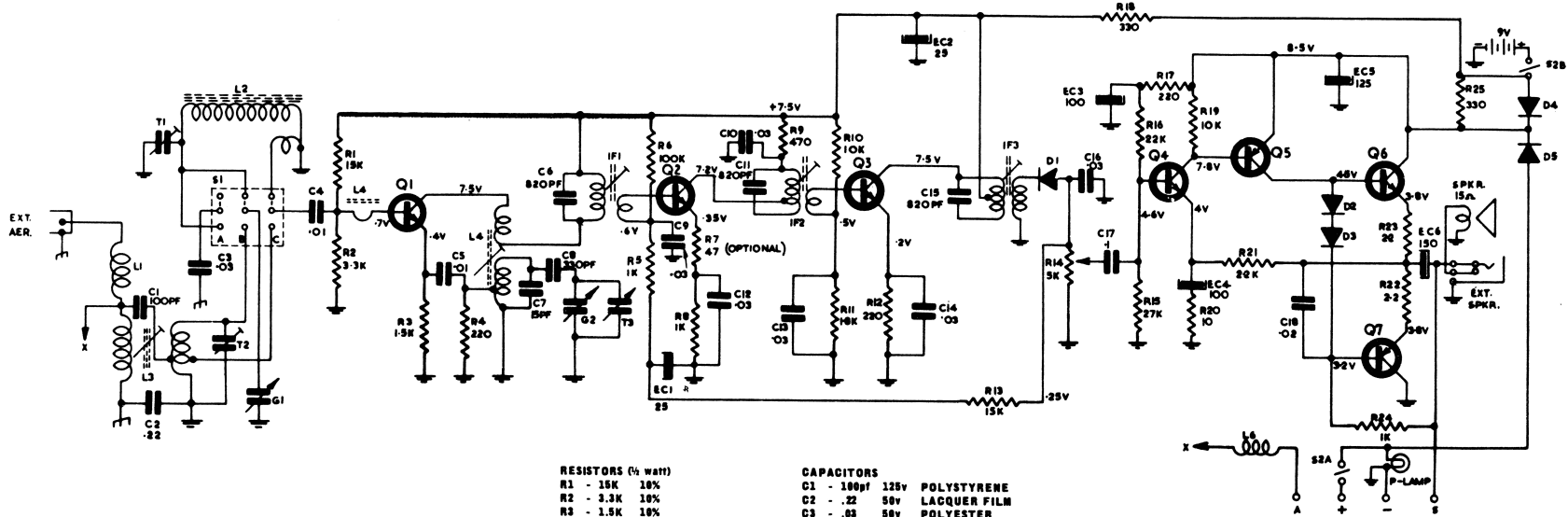


FERRIS - 7 TRANSISTOR PORTABLE CAR RADIO - MODEL 747.



- RESISTORS (1/4 watt)**
- R1 - 15K 10%
 - R2 - 3.3K 10%
 - R3 - 1.5K 10%
 - R4 - 220 10%
 - R5 - 1K 10%
 - R6 - 100K 10%
 - R7 - 47 10% (optional)
 - R8 - 1K 10%
 - R9 - 470 10%
 - R10 - 10K 10%
 - R11 - 1.5K 10%
 - R12 - 220 10%
 - R13 - 15K 10%
 - R14 - 5K POTENTIOMETER
 - R15 - 27K 10%
 - R16 - 22K 10%
 - R17 - 220 10%
 - R18 - 330 10%
 - R19 - 10K 10%
 - R20 - 10 10%
 - R21 - 2.2K 10%
 - R22 - 2.2 10%
 - R23 - 2.2 10%
 - R24 - 1K 10%
 - R25 - 330 10%
- TRANSISTORS**
- Q1 - SE1002
 - Q2 - SE1002
 - Q3 - SE1002
 - Q4 - AX1242
 - Q5 - AY1110
 - Q6 - AY6100
 - Q7 - AY6100

- CAPACITORS**
- C1 - 100pf 125V POLYSTYRENE
 - C2 - .22 50V LACQUER FILM
 - C3 - .05 50V POLYESTER
 - C4 - .01 50V POLYESTER
 - C5 - .01 50V POLYESTER
 - C6 - 0.02uf 125V POLYSTYRENE
 - C7 - 15pf 125V POLYSTYRENE
 - C8 - 330pf 125V POLYSTYRENE 5X
 - C9 - .05 50V POLYSTYRENE
 - C10 - .05 50V POLYESTER
 - C11 - 0.02uf 125V POLYSTYRENE
 - C12 - .05 50V POLYESTER
 - C13 - .05 50V POLYESTER
 - C14 - .05 50V POLYESTER
 - C15 - 0.02uf 125V POLYSTYRENE
 - C16 - .05 50V POLYESTER
 - C17 - .1 50V POLYESTER
 - C18 - .02 50V POLYESTER
- ELECTROLYTICS**
- EC1 - 25uf 5V
 - EC2 - 25uf 10V
 - EC3 - 100uf 10V
 - EC4 - 100uf 10V
 - EC5 - 125uf 16V
 - EC6 - 150uf 5V
- DIODES**
- D1 - AB2002
 - D2 - AW1102
 - D3 - AW1102
 - D4 - EN4005
 - D5 - EN4005

- CHOKES & COILS**
- L1 - AERIAL CHOKE TYPE 6336
 - L2 - ROD AERIAL COIL TYPE 7122
 - L3 - AERIAL COIL TYPE 7120
 - L4 - FERRITE BEAD TYPE 158/050/375/F8
 - L5 - OSCILLATOR COIL TYPE 7825
 - L6 - AERIAL CHOKE TYPE 6100
- IF TRANSFORMERS**
- IF1 - 455KHz TYPE 0150
 - IF2 - 455KHz TYPE 0133
 - IF3 - 455KHz TYPE 0134
- TRIMMERS**
- TR1, TR2, TR3 - TRIPLE ROTARY TRIMMERS TYPE ... AT3-4-2
- TUNING CAPACITOR (MITSUMI)**
- G1, G2 - MINIATURE SAN-ESU) 24/25
- SWITCHES**
- S1 A, B, C - 3 POLE 2 POSITION SLIDE SWITCH
 - S2 A, B - 3 POLE 2 POSITION SLIDE SWITCH
- P. LAMP** - 12 volt 1 watt
- BATTERY** - 9 volt Type 2364
- BAND COVERAGE** - 525-1700KHz
- IF FREQUENCY** - 455KHz
- ZERO SIGNAL BATTERY CURRENT 0.5 m.a. for 9v supply**

NOTE: All voltages checked with 20,000 ohms per volt meter at zero signal input.

ALL RESISTORS 1/4 watt rating unless other wise stated.
ALL RESISTANCE VALUES in ohms.
ALL CAPACITOR VALUES in microfarads.