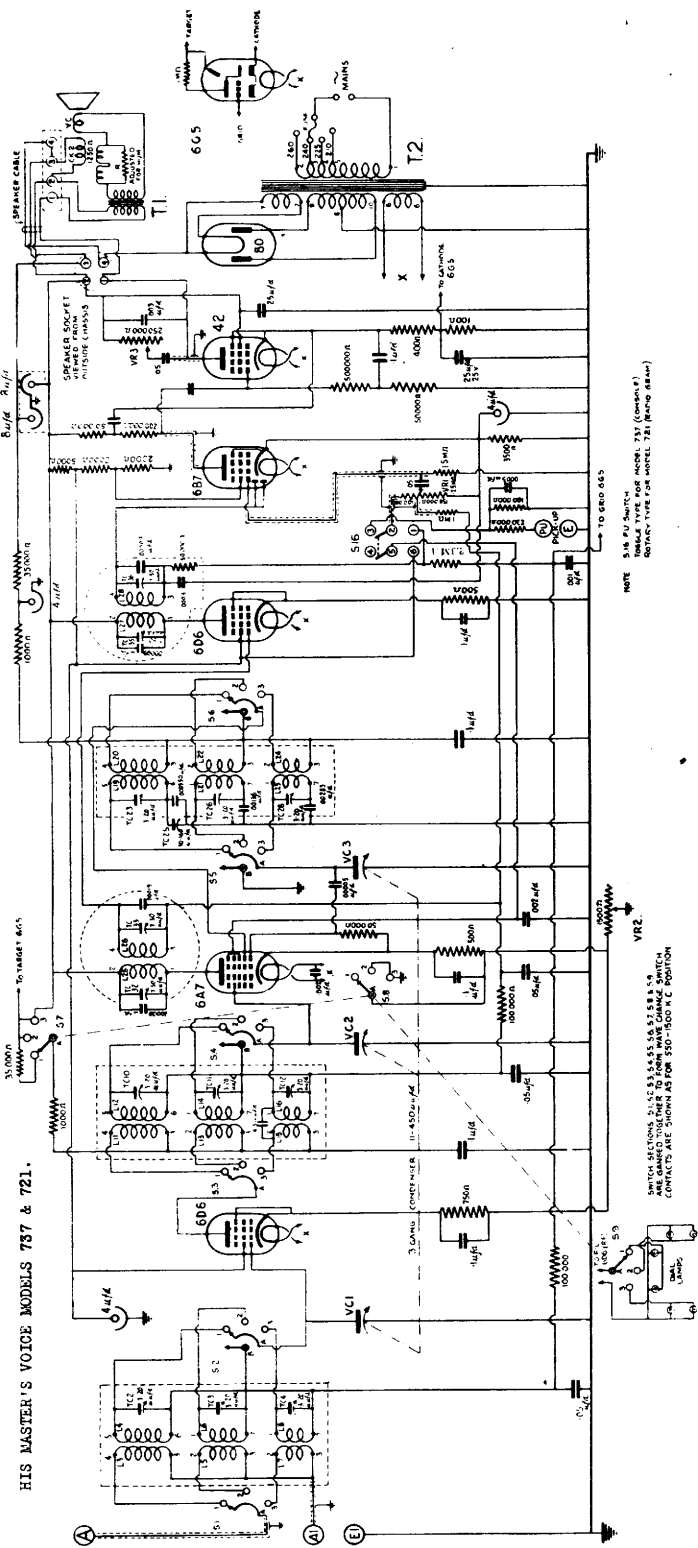


HIS MASTER'S VOICE MODELS 737 & 721.



values given are plus or minus 10 per cent, and are taken on 235 volt mains. Receiver connected only to supply points with 2 ampere fuses.

It is important that the receiver be operated MAX. SPEECH OUTPUT. At the correct voltage; the voltage taps on approximately 3 watts (undistorted).

the main transformer should be utilised as RANGE M.W. .. 175 to 560 metres

USE TAP DESIGNATED

200-210 Volts 210

211-225 " 225

226-240 " 240

241-260 " 280

CONSUMPTION -

FUSES!- The instrument is provided with a 1 ampere fuse, but it is recommended that it is 6D6, 6A7, 6D6, 6B7, 42, 80.

Receiver	V6(80)	V4(42)	V4(6B7)	V4(6D6)	V3(6A7)	V2(6A7)	V1(6D6)
Osc. O Mixer	237	256	380	5.0 A.C.	6.3 A.C.	6.3 A.C.	6.3 A.C.
Anode Frame Volts	40	55	3.0	5.0 (2.0*)	5.6†	6.0†(2.0*)	6.0†(2.0*)
Screen Frame Volts	100	100	3.0	5.0 (2.0*)	5.6†	6.0†(2.0*)	6.0†(2.0*)
Cathode Frame Volts	16	16	16	16	16	16	16
Filament Voltage	5.0 A.C.	5.0 A.C.	5.0 A.C.	5.0 A.C.	5.0 A.C.	5.0 A.C.	5.0 A.C.

\*With Sensitivity Control fully clockwise only.

†On a strong local station.

Total H.T. current measured at terminal 4 - 95 mA.

6A7 Oscillator anode current measured at terminal 3 - 5 mA.

V1 to V4 anode screen current measured at terminal 2 - 59 mA.

Pentode (42) anode current measured at terminal 1 - 31 mA.

NOTE: 5.16 P.U. SWITCH  
 TUBE TYPE FOR MODEL 737 (COMMON 4)  
 TUBE TYPE FOR MODEL 721 (RARE DRAW)

SWITCH POSITIONS 2, 3, 4, 5, 6, 7, 8, 9, 10  
 CONTACTS ARE SHOWN AS FOR 230-250 A.C. POSITION