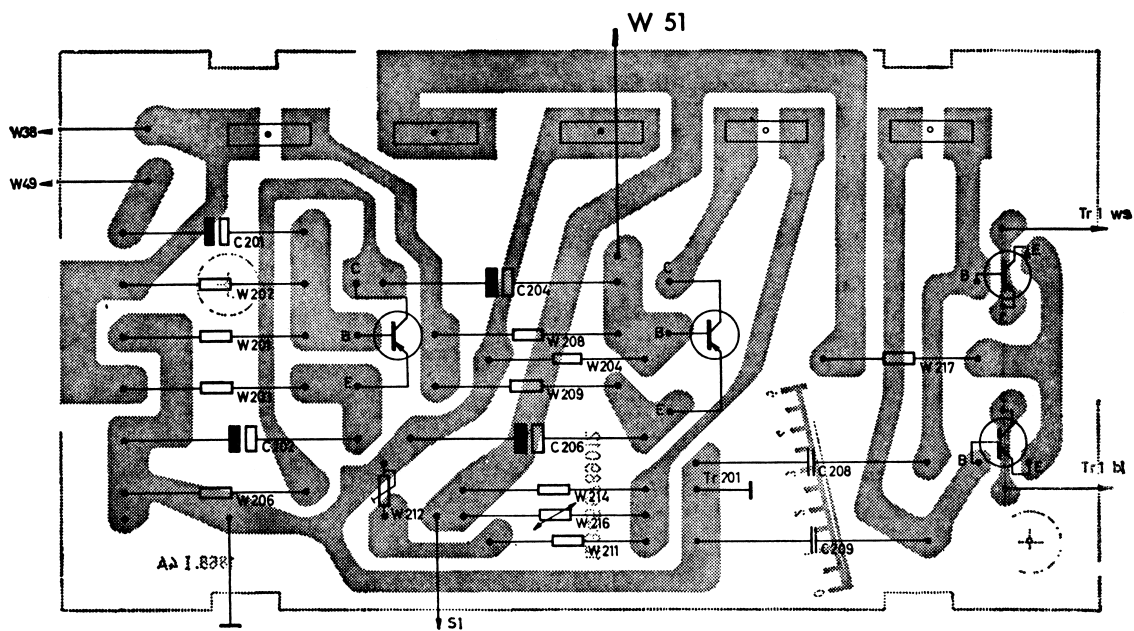
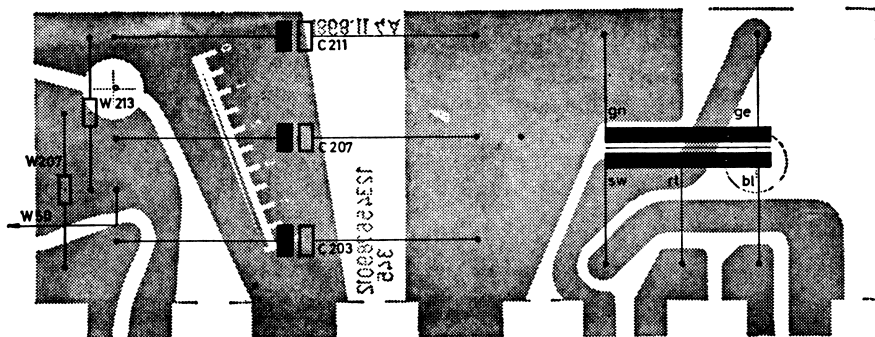
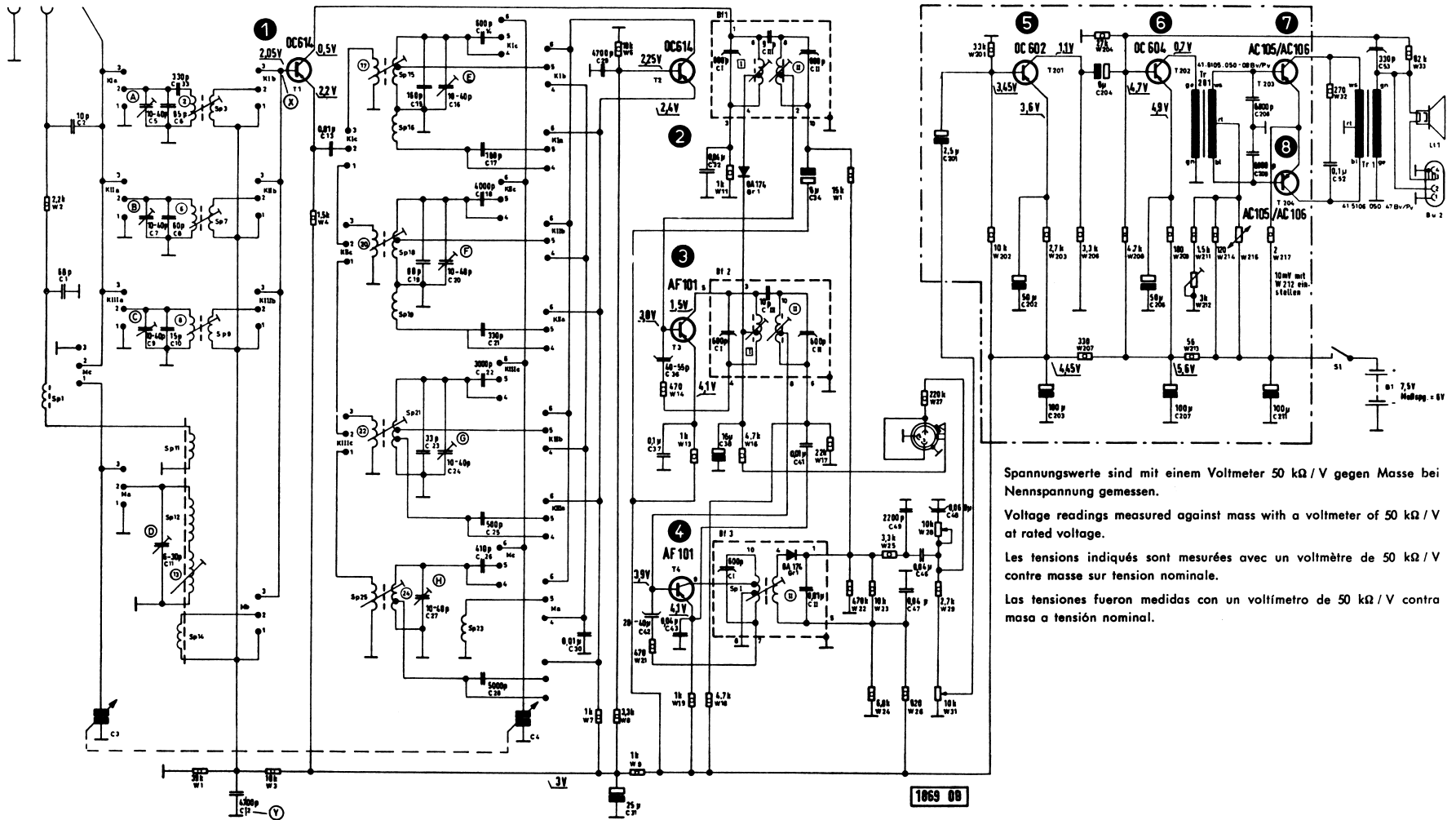


TELEFUNKEN MODEL 7181 T





Technical Data

Battery supply:	7.5 volts, or 5 standard 1.5 volts flashlight battery cells connected in series (1 ¹¹ / ₁₆ " \varnothing by 2 ¹¹ / ₁₆ " ²)
Current consumption:	approx. 13.5 milliamps zero current
Operation time:	more than 500 hours intermittent operation with high-power dry battery cells
Transistor complement:	OC 614, OC 614, AF 101, AF 101, OC 602, OC 604, AC 106, AC 106
Germanium diodes:	OA 174, OA 174
Tuned circuits:	total number 7, including 2 variable capacitor circuits

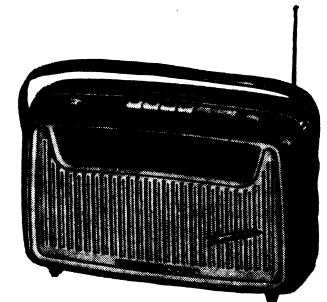
Wave bands:	Standard Broadcast MW: 510 to 1630 kc Short Wave 3 2,2 to 5,3 mc Short Wave 2 5,9 to 12,4 mc Short Wave 1 14,7 to 22 mc
Antennae:	telescopic whip antenna for short waves, built-in ferrite rod antenna for standard broadcast band reception
Intermediate frequency:	460 kc
Loudspeaker:	1 permanent-dynamic speaker, dimensions 3" by 5 ¹ / ₂ ", or 75 x 130 mms
Connections for:	extension speaker, record player or record changer
Cabinet dimensions:	width 11 ³ / ₄ " (300 mms) height 7 ¹ / ₄ " (185 mms) depth 3 ³ / ₄ " (95 mms)

Spannungswerte sind mit einem Voltmeter 50 k Ω /V gegen Masse bei Nennspannung gemessen.

Voltage readings measured against mass with a voltmeter of 50 k Ω /V at rated voltage.

Les tensions indiquées sont mesurées avec un voltmètre de 50 k Ω /V contre masse sur tension nominale.

Las tensiones fueron medidas con un voltmetro de 50 k Ω /V contra masa a tensión nominal.



Transistor 7181 T