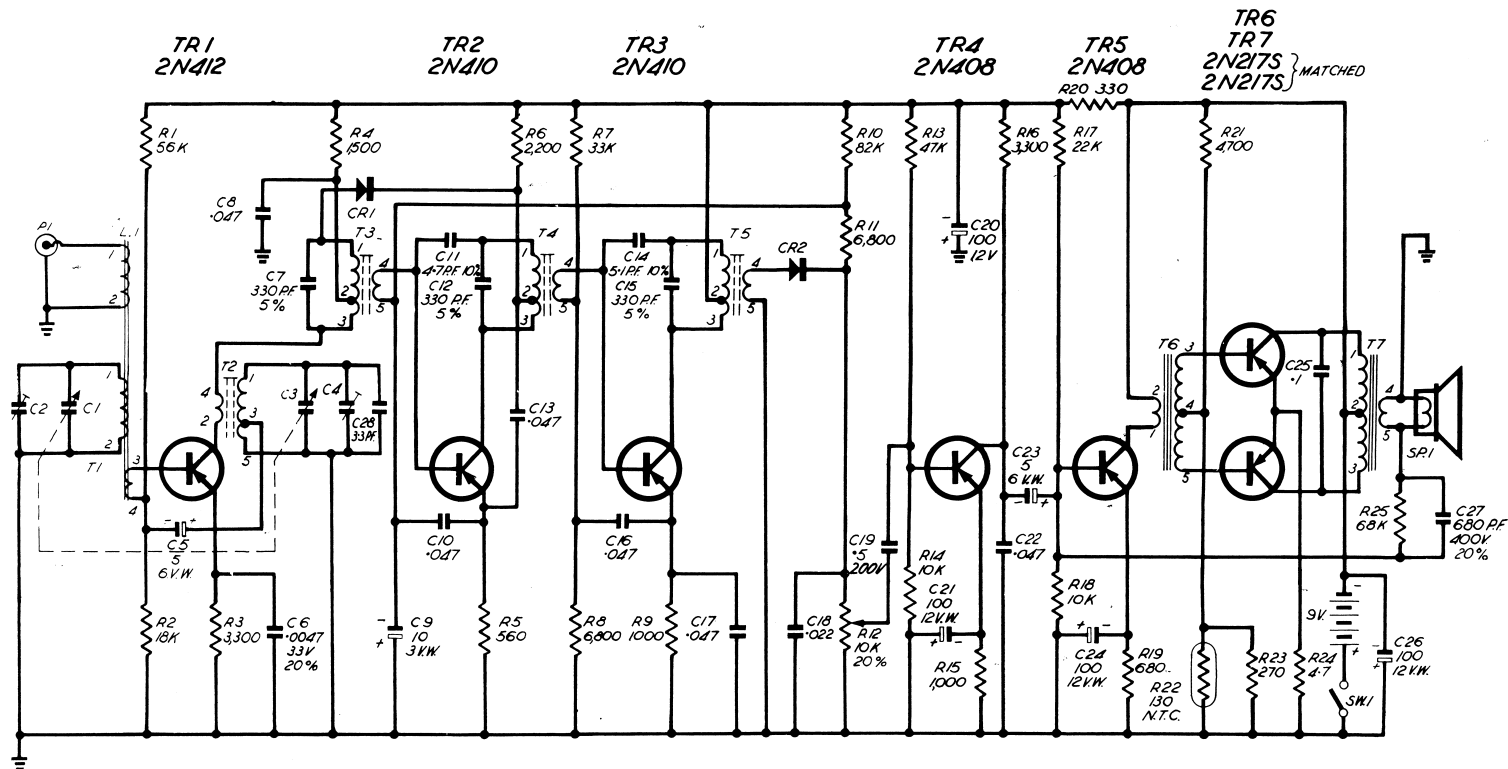


# HEALING

## MODEL 702T



**NOTES** ALL ELECTROLYTIC CAPACITORS ARE IN MFD. VOLTAGES AS SPECIFIED.  
 ALL CERAMIC CAPACITORS ARE IN MFD. +80% - 20% TOL. 25 VOLT UNLESS OTHERWISE SPECIFIED.  
 ALL RESISTORS ARE IN OHMS & WATT 10% TOL. UNLESS OTHERWISE SPECIFIED.

**PRODUCTION CHANGES** C5 = .01, R1 = 2 × 27K IN SERIES, THE JUNCTION CONNECTED TO A 5 MFD. TO EARTH.

### COMPONENTS LIST

Circuit No.	Description	Circuit No.	Description
L1	Aerial Coil Prim. (Car Aerial Coupling Coil) Type RJ151	T7	Output Transformer Type LTR66
T1	Aerial Coil Sec. Type RJ152	R12	Resistor, Variable 10K with S.P. switch (RL860)
T2	Oscillator Coil Type RJ153	R22	Thermal Resistor (N.T.C.) 130 ohm
T3, T4	I.F., Transformer Type RJ148	SP1	Speaker Rola Type 4CP00/F50/3.5
T5	I.F., Transformer Type RJ150	CR1, CR2	Diode Type IN295 or GD3
T6	Driver Transformer Type JDR65		

# HEALING 702T

