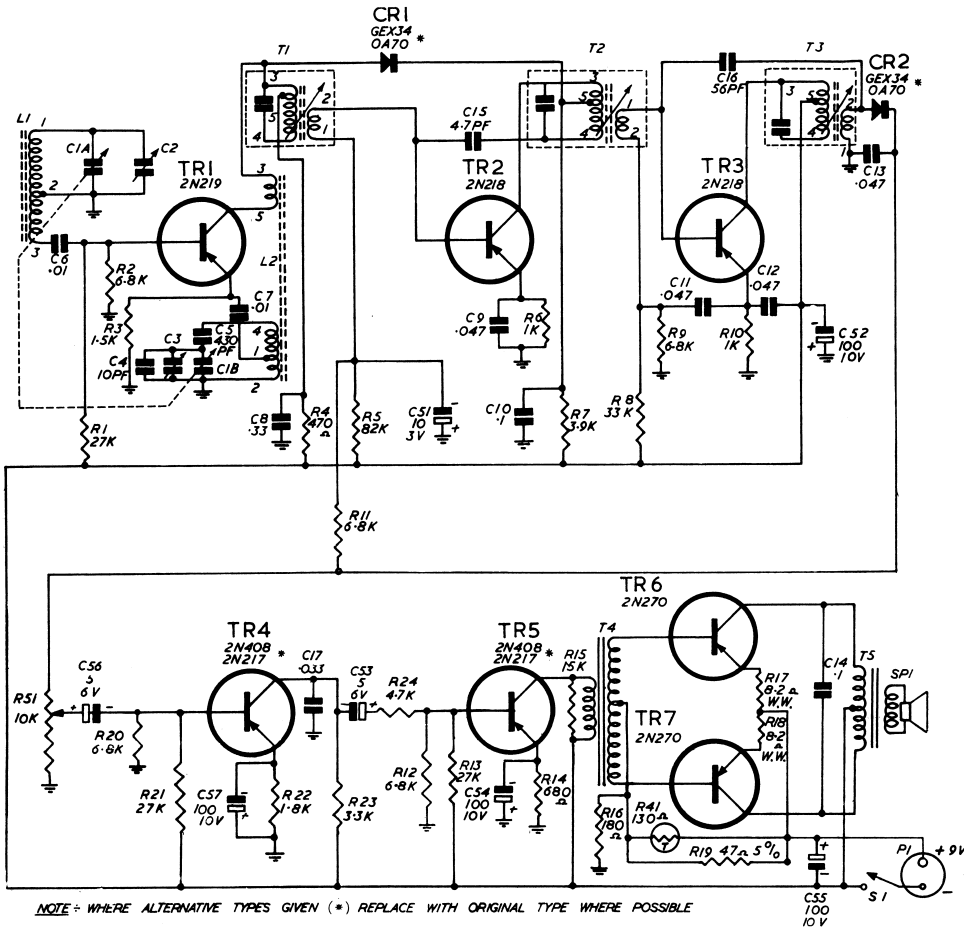
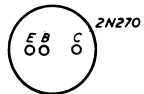
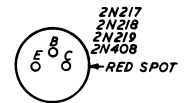


MODEL 700T



BASE DIAGRAMS



COLOUR CODING OF TRANSISTOR LEADS
 E - YELLOW
 B - GREEN
 C - BLUE

COMPONENTS LIST

CIRCUIT NO.	DESCRIPTION
L1	Aerial Coil, Type RJ 138.
L2	Oscillator Coil, Type RJ 139.
R41	Thermal Resistor (N.T.C.), 130 Ohm.
SPI	Speaker, Type 4C.
T1, T2	I.F. Transformer, Type RJ 140.
T3	I.F. Transformer, Type RJ 141.
T4	Driver Transformer, Type DR7.
T5	Output Transformer, Type TR4.