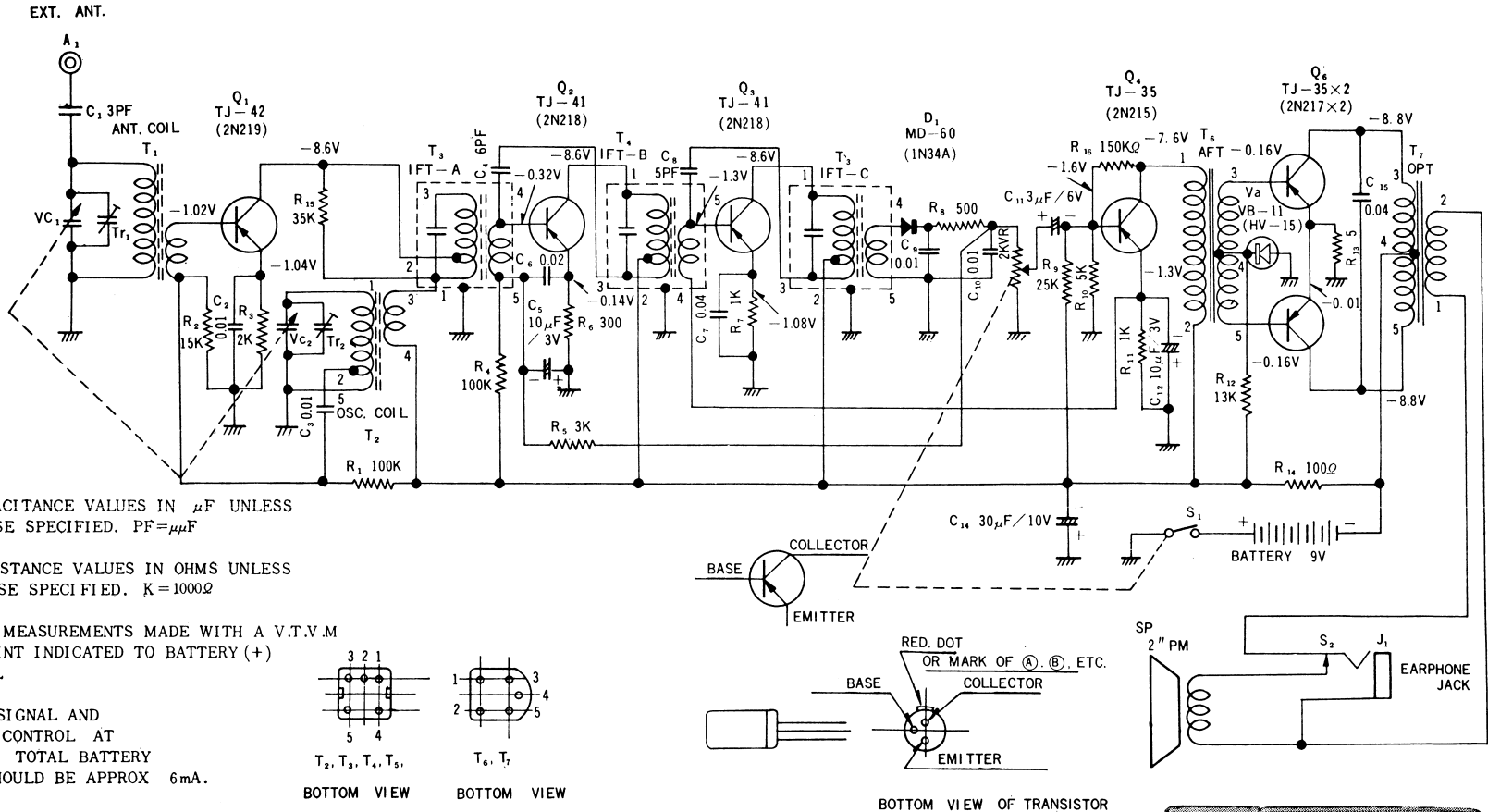
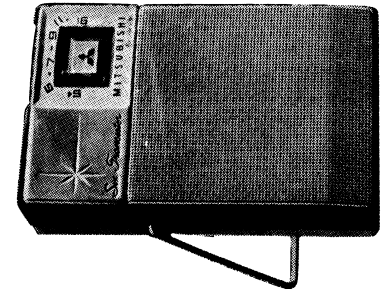
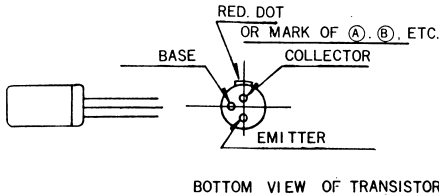
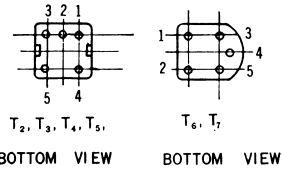


MODEL 6X-148 TRANSISTOR RADIO CIRCUIT DIAGRAM

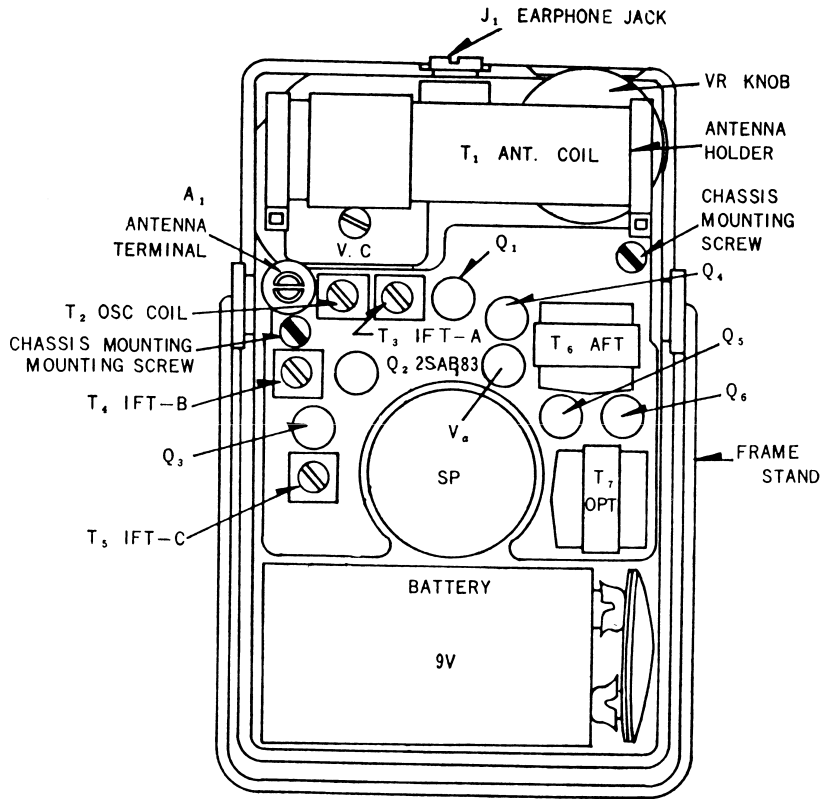


NOTES :

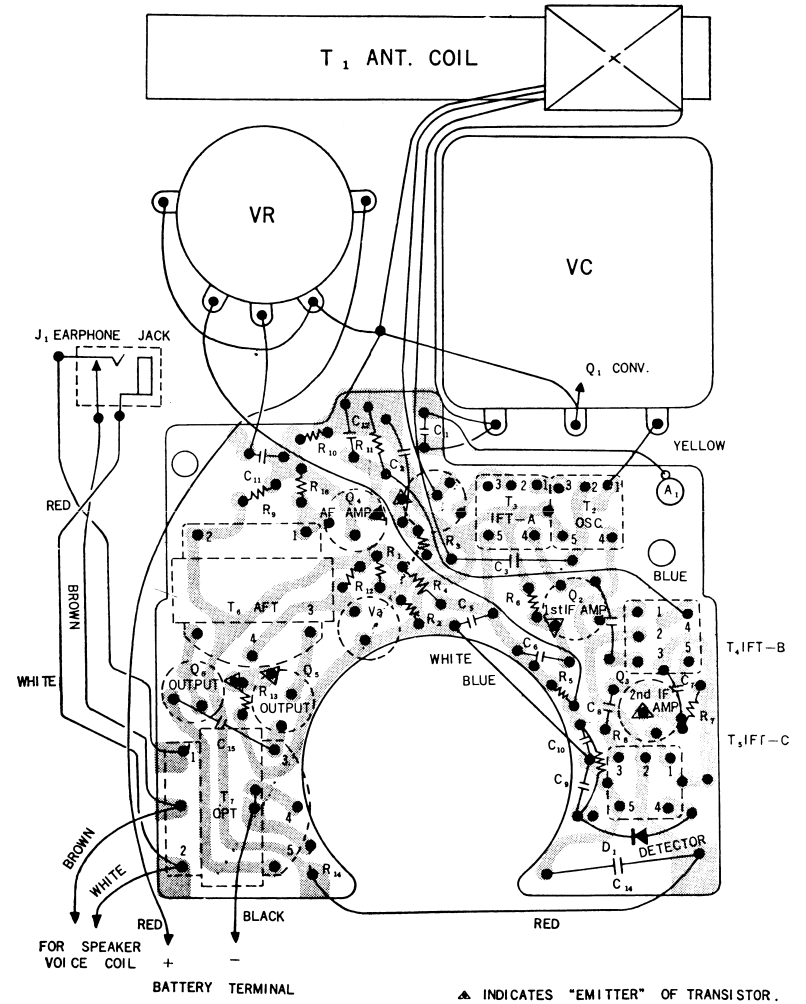
- 1, ALL CAPACITANCE VALUES IN μF UNLESS OTHERWISE SPECIFIED. $\text{PF} = \mu\mu\text{F}$
- 2, ALL RESISTANCE VALUES IN OHMS UNLESS OTHERWISE SPECIFIED. $\text{K} = 1000\Omega$
- 3, VOLTAGE MEASUREMENTS MADE WITH A V.T.V.M FROM POINT INDICATED TO BATTERY (+) TERMINAL
- 4, WITH NOSIGNAL AND VOLUME CONTROL AT MINIMUM, TOTAL BATTERY DRAIN SHOULD BE APPROX 6mA.



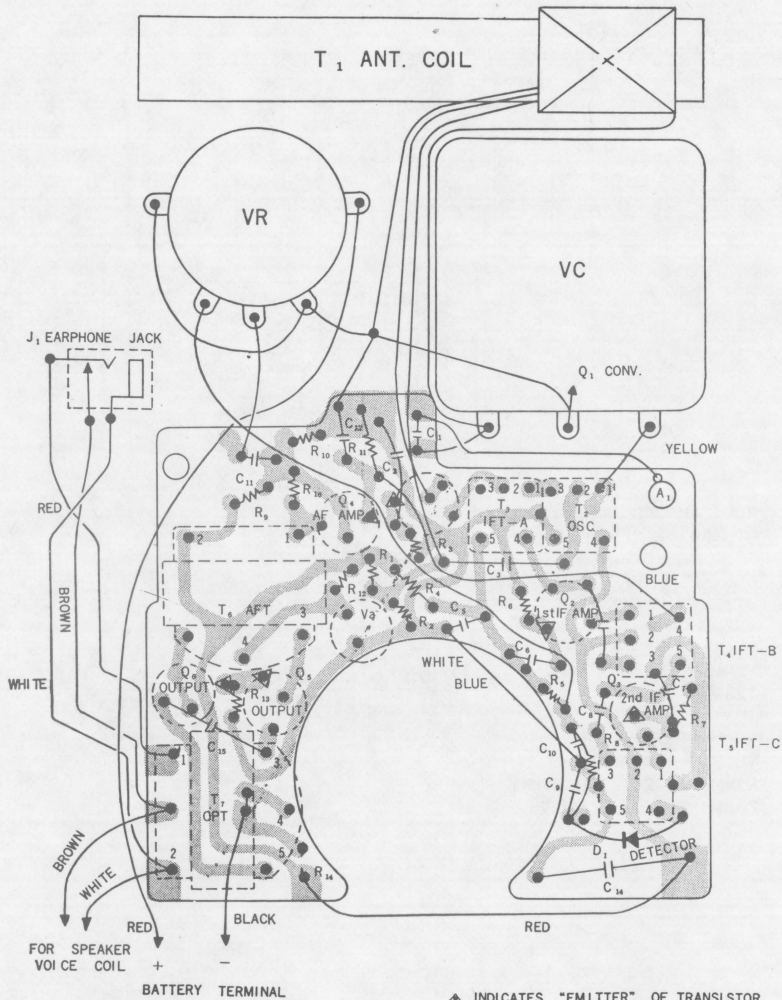
MITSUBISHI Model 6X-148



Model 6X-148 Chassis Components View



Model 6X-148 Bottom View of Printed Circuit Chassis (Showing Components Symbolically)



Model 6X-148 Bottom View of Printed Circuit Chassis
(Showing Components Symbolically)