

S251.

$T_{r1}$  2SA15

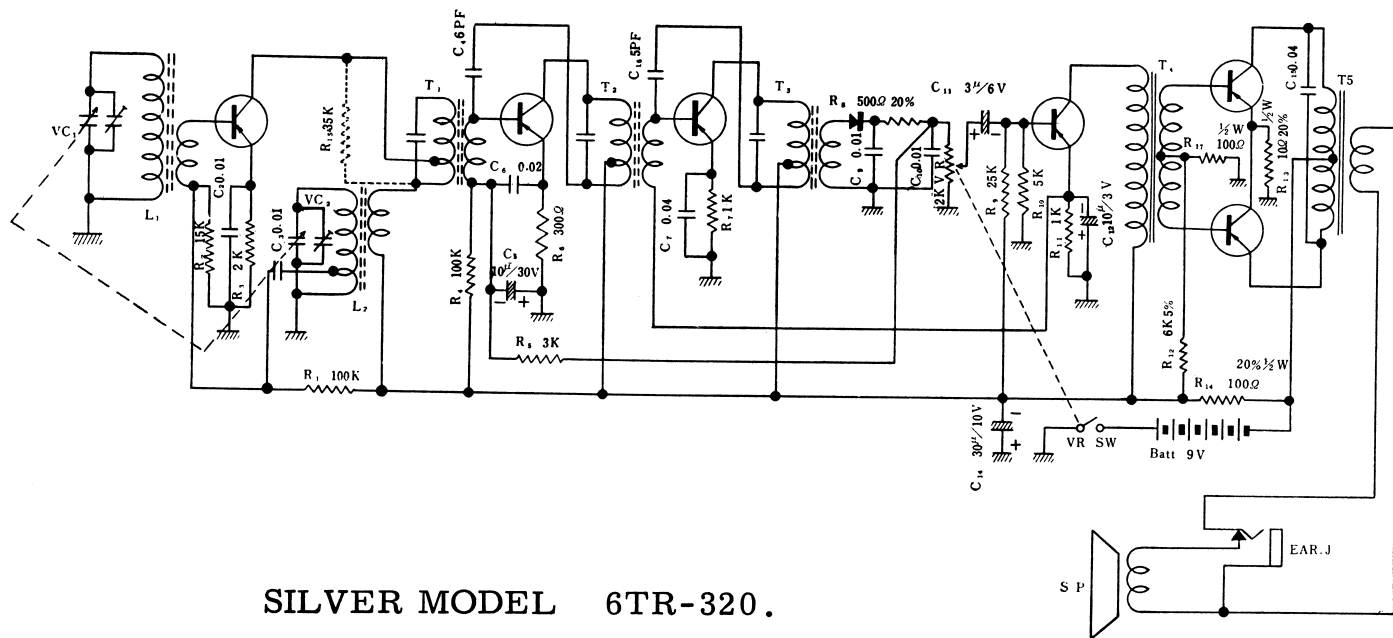
$T_{r1}$  2SA12

$T_{r3}$  2SA12

D 1N34AM

$T_{r4}$  2SB75

$T_{r5-6}$  2SB77×2



SILVER MODEL 6TR-320.

All resistance values in ohms.

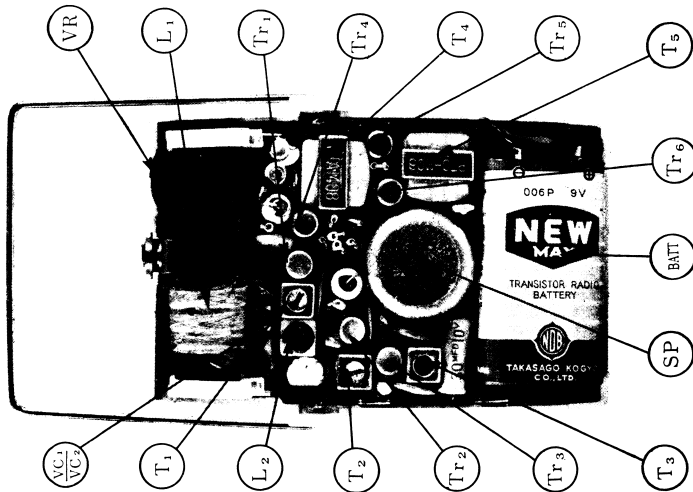
All capacitance values in MF except those indicated.

## ALIGNMENT INSTRUCTIONS

- \* Volume control should be at Maximum.
- \* S.G signal should be radiated into the radio by the loop.
- \* Output meter should be connected across the voic coil of speaker.

Step	Signal Generator Frequency	Radio Dial Setting	Adjust for Max. Output
1	455 KC	VC max. (fully closed)	T 1, 2, 3 (I.F.T. A. B. C.)
2	530 KC	VC max.	L 2 (OSC. coil)
3	1630 KC	VC mini. (fully open)	VC OSC. trimmer
4	Repeat step 2 & 3		
5	600 KC	600KC	L 1 (ANT. coil)
6	1400 KC	1400KC	VC ANT. trimmer
7	Repeat step 5 & 6		

\* Adjust to get MAXIMUM output in each step.



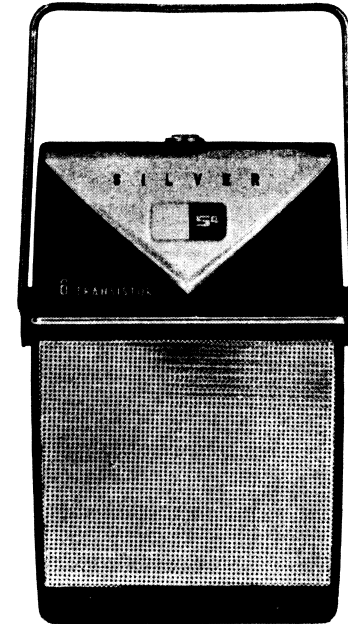
# SILVER

## 6-Transistor Pocket Radio

### MODEL 6TR-320

### SERVICE DATA

SHIRASUNA DENKI MFG. CO., LTD.



### SPECIFICATIONS

TUNING RANGE	535-1605 KC	DIODE	1N34AM Detector & A.G.C
INTERMEDIATE FREQUENCY	455 KC	POWER OUTPUT	200mW (Maximum) 120mW (Undistorted)
ANTENNA SYSTEM	Built-in Ferrite bar antenna	SPEAKER	2" P.D.SP
TRANSISTOR COMPLEMENT	2SA15 Convertor 2SA12 1st I-F Amp. 2SA12 2nd I-F Amp. 2SB75 A.F. Amp. 2SB77 Push-pull Output 2SB77 Push-pull Output	BATTERY	9V (Eveready 216 or Berec PF3)
		DIMENSIONS	3 1/8" wide, 4 1/4" high, 1 3/8" deep
		WEIGHT	6 ozs. (with battery)