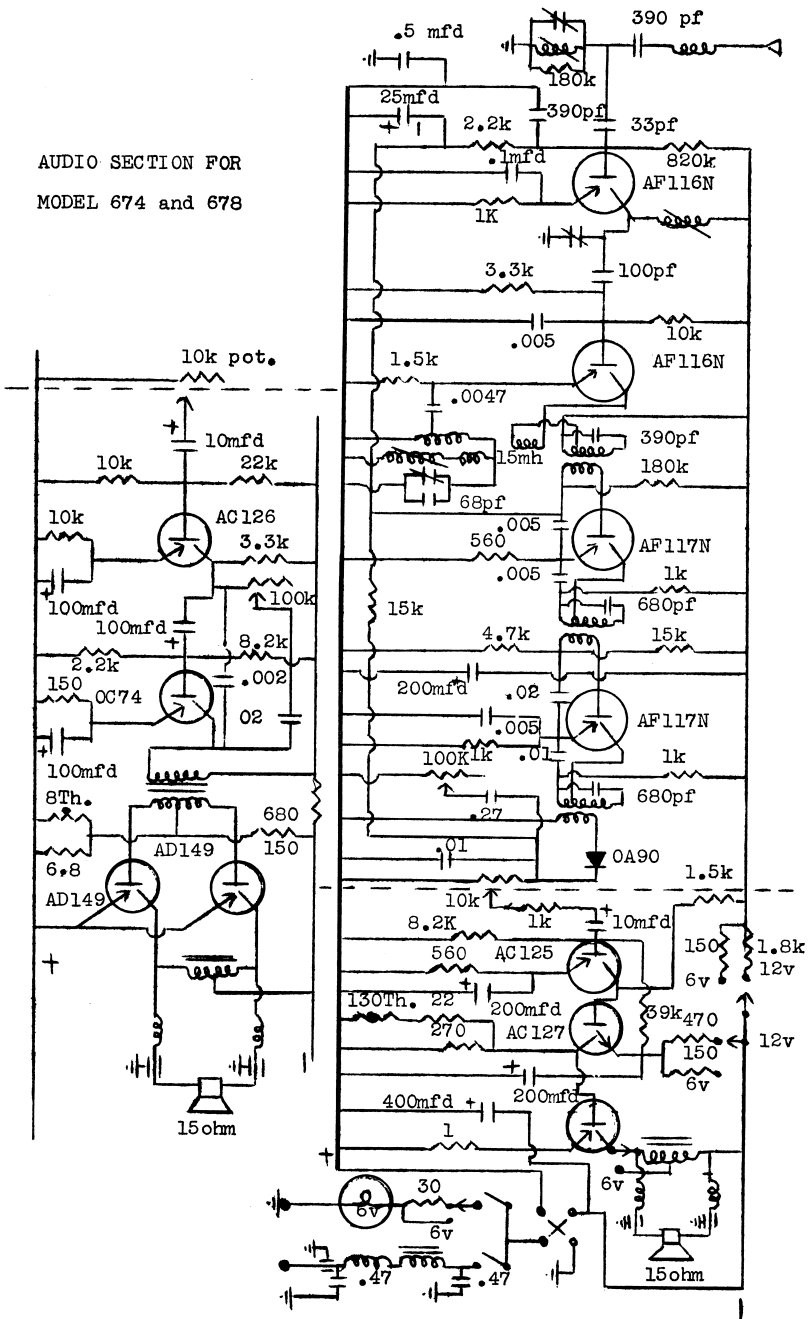


AUDIO SECTION FOR
 MODEL 674 and 678

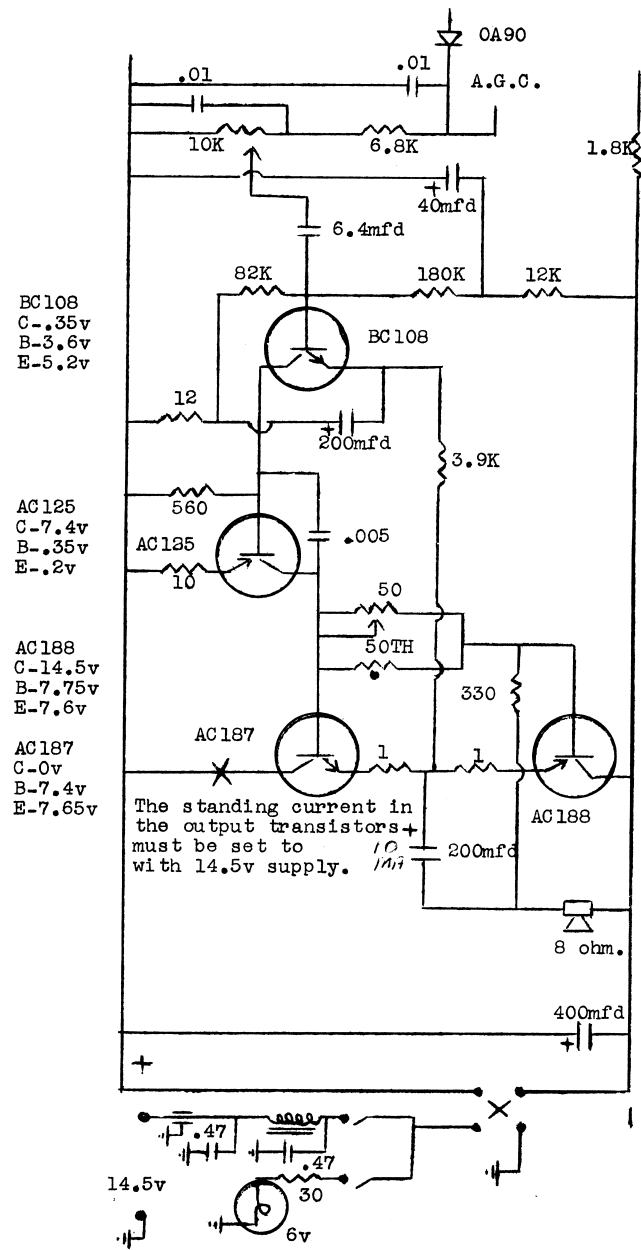


AUDIO SECTION

To be used in conjunction with RF section of Autovox Model 672

12 VOLT ONLY

A103



BC108
 C-.35v
 B-3.6v
 E-5.2v

AC125
 C-7.4v
 B-.35v
 E-.2v

AC188
 C-14.5v
 B-7.75v
 E-7.6v

AC187
 C-0v
 B-7.4v
 E-7.65v

The standing current in the output transistors must be set to 10 mA with 14.5v supply.