

Service Data for the Healing Receiver

MODEL 675E

Power Supply—200-250 volts A.C., 50 cycles.

Frequency Range—550-1,620 kilocycles, 7,890 to 24,000 kilocycles.

Intermediate Frequency—455 kilocycles.

Speaker Field—2,000 ohms.

Speaker Transformer Impedance—5,500 ohms.

Dial Lights—6 volts .5 amp.

Typical Valve Voltages (measured to chassis)—

		A.C.	1,000 ohms per volt D.C. meter scales.			
			50 V.	250 V.	250 V.	250 V.
Valve	Use	Filament	Cathode	Screen	Plate	Osc. Plate
6U7G	R.F.	6.2	0	110	240	
EK2G	Osc. Mod.	6.2	0	60 B.C. 80 S.W.	240	190
6U7G	I.F.	6.2	2	110	240	
6B6G	Det. A.V.C., 1st A.F.	6.2	-2.5	—	80	
6V6G	2nd A.F.	6.2	0	240	233	
80	Rectifier	4.9				

The voltage across the 40 ohm resistor to which the 6B6G connects is 2.5, with a further 10.5 volts across the 150 ohm resistor.

Voltage across speaker field—135 volts.

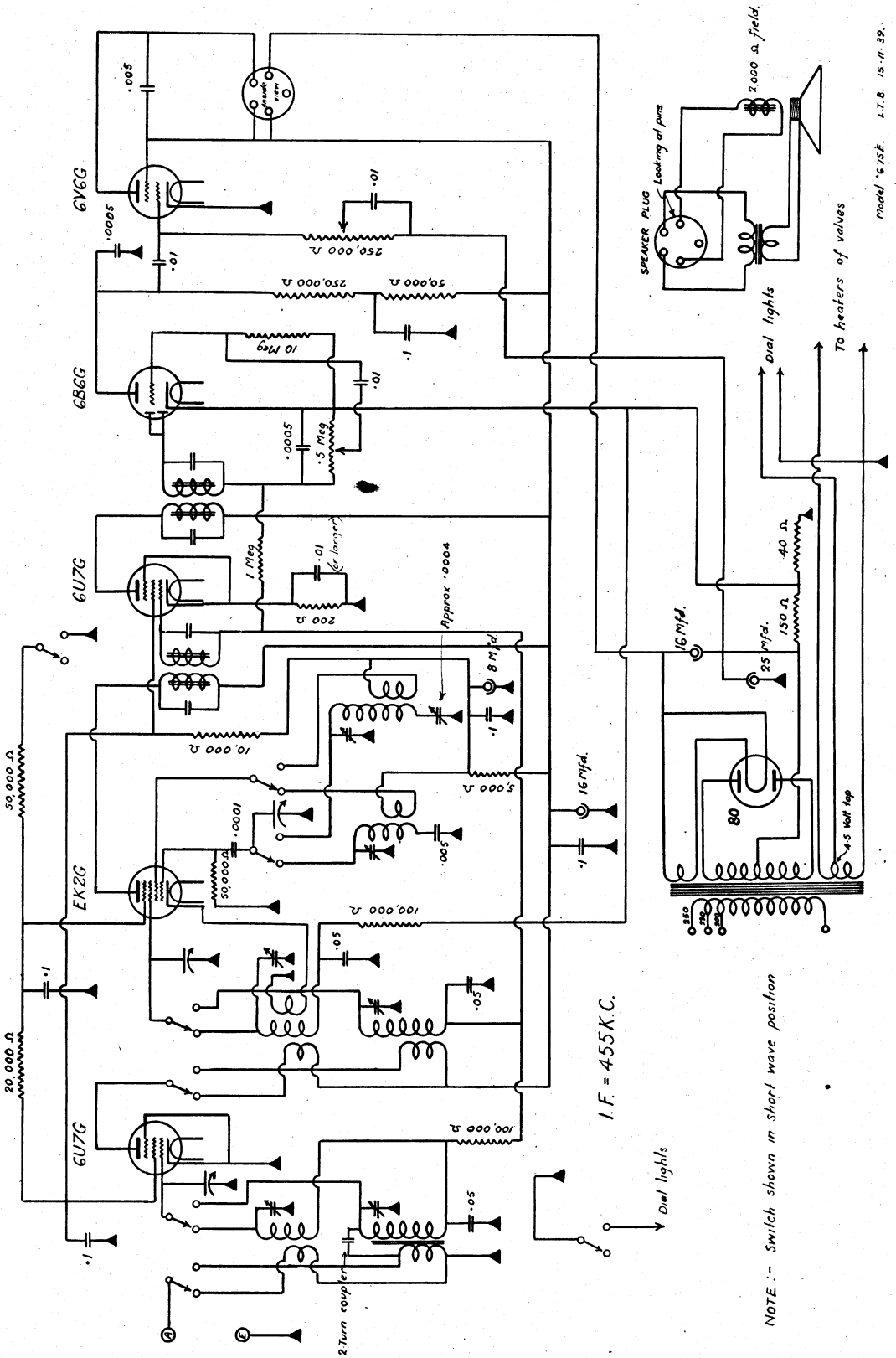
Voltage measurements taken with aerial disconnected and no signal input.

See pages 153 and 117 for alignment procedure.

Trimmers.—The aerial section of the condenser gang is at the back, R.F. in the middle and oscillator at the front. In the aerial and R.F. sections, the short-wave trimmers are those nearest the end of the chassis, and in the oscillator section the short-wave trimmer is near the switch gear.

HEALING

Service Data for the Healing Receiver, Model 675E.



Model 675E. A.T.B. 15-11-39.

Circuit Diagram of Model 675E