

Service Data for the Healing Receiver

MODEL 675C

Power Supply—200-260 volts A.C.-D.C.

Frequency Range—550-1,620 kilocycles, 7,890-24,000 kilocycles.

Intermediate Frequency—455 kilocycles.

Speaker Field—8,000 ohms.

Speaker Transformer Impedance—4,500 ohms.

Dial Lights—6 volt .3 amp.

Typical Valve Voltages (230 volts A.C. input):—

		1,000 ohms per volt D.C. meter scales				
			50 V.	250 V.	250 V.	250 V.
Valve	Use	Filament	Cathode	Screen	Plate	Osc. Plate
6U7G . . .	R.F.	6.3	2	105	180	
EK2G . . .	Osc. Mod.	6.3	1.5	65	180	165
6U7G . . .	I.F.	6.3	2.25	105	180	
6B6G . . .	Det. A.V.C. 1st A.F.	6.3	0	—	70	
25A6G . . .	2nd A.F.	25	20	150	150	
25Y5 . . .	Rectifier	25	210			

Voltage across Speaker Field—210 volts.

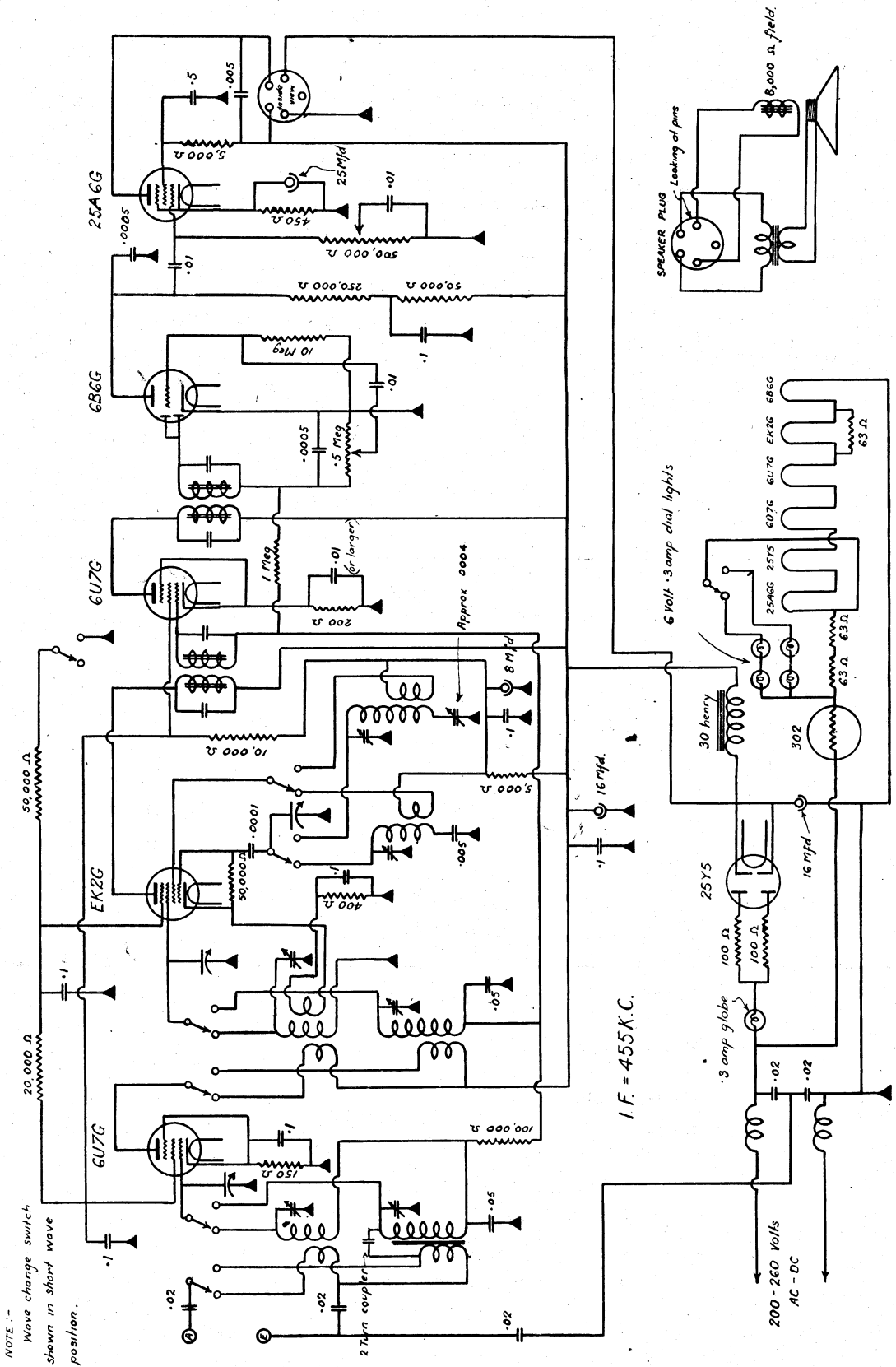
Voltage measurements taken with aerial disconnected and no signal input. Switch on broadcast position.

See pages 153 and 117 for alignment procedure.

Trimmers.—The aerial section of the condenser gang is at the back, R.F. in the middle, and oscillator at the front. The short-wave aerial and R.F. trimmers are nearest the end of the chassis, whilst in the oscillator section the short-wave trimmer is the one nearer the back of the chassis.

HEALING

Service Data for the Healing Receiver, Model 675C.



Model/ 675C LT8. 1-3-40

Circuit Diagram of Model 675C