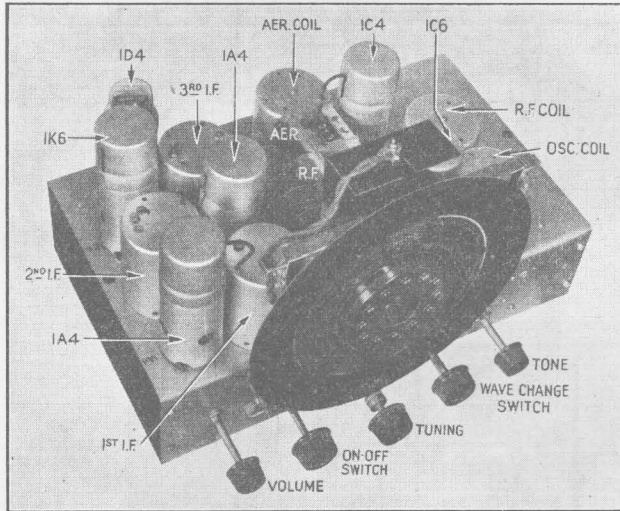


# Service Data for the Healing Receiver MODEL 668A

A DUAL WAVE SUPERHETERODYNE WITH A.V.C.

Power Supply 6  
Volt Accumula-  
tor and Vibrator

Lamps around  
dial are (4) 6  
volt .1 amp.,  
and projector  
lamp and short  
wave indicator  
are 6 volt .3  
amp.



Frequency  
Range  
1500-550 K.C.  
6-18 M.C.

Intermediate  
Frequency  
455 K.C.

## TYPICAL VALVE VOLTAGES

		1,000 ohms. per volt D.C. Meter Scales			
		10 V.	250 V.	250 V.	250 V.
Valve	Use	Filament	Screen	Plate	Osc. Plate
1C4	R.F.	2	40 Local 50 B.C.	150	55 Local 60 B.C. 125 S.W.
1C6	Osc. Mod.	2		60 S.W.	
1A4	1st I.F.	2	25 Local 30 B.C.	150	
1A4	2nd I.F.	2		33 S.W.	
1K6	A.V.C. Det. 1st A.F.	2	—	60	
1D4	2nd A.F.	2	150	144	

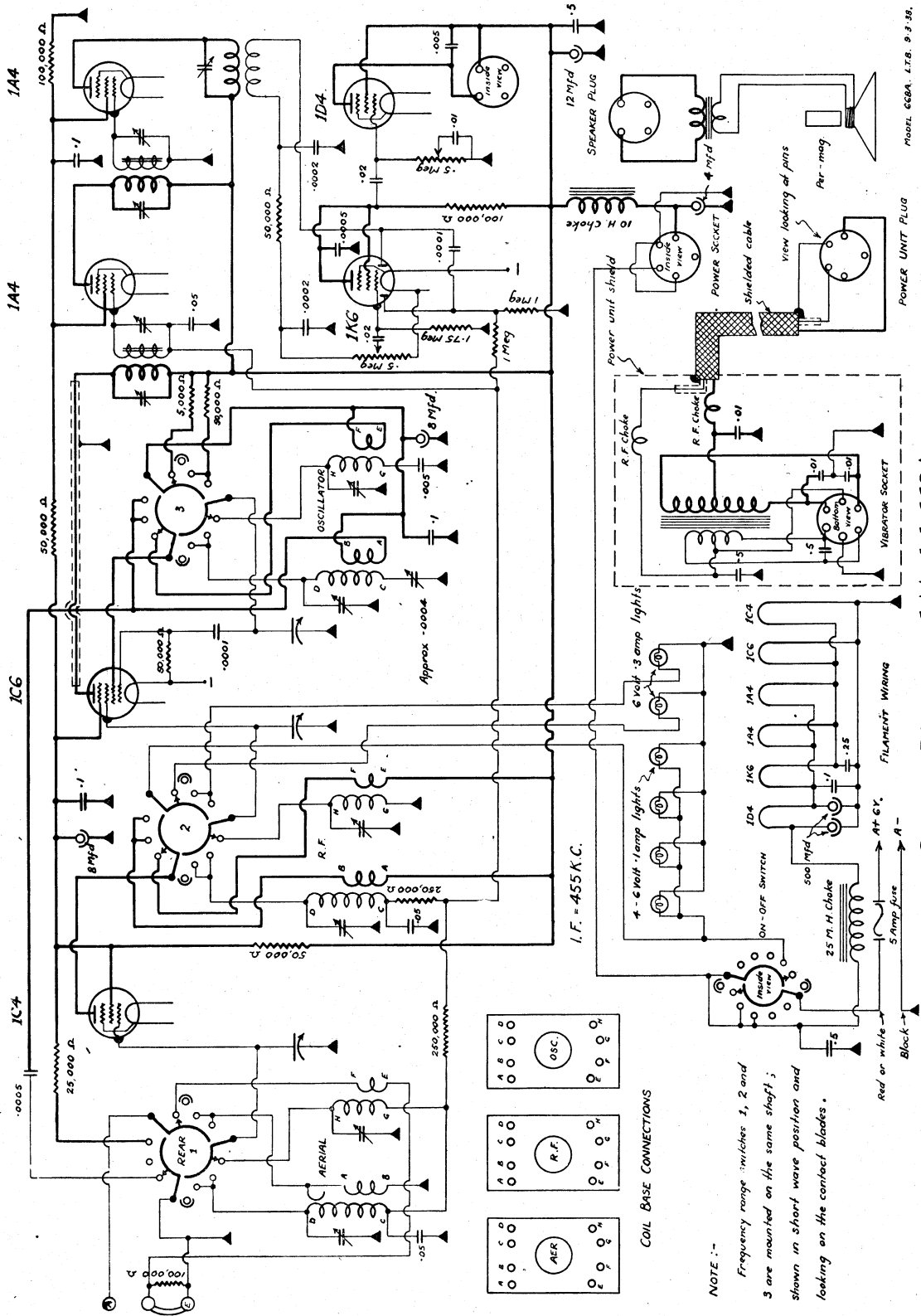
Battery consumption: 1 amp. without dial lights.

Voltage measurements taken with aerial disconnected, and no signal input.

**Trimmers:** The Broadcast trimmers are those nearest the back of the chassis.

See page 117 for outline of alignment procedure.

## Service Data for the Healing Receiver Model 668A



### Current Diagram of Model 668A.