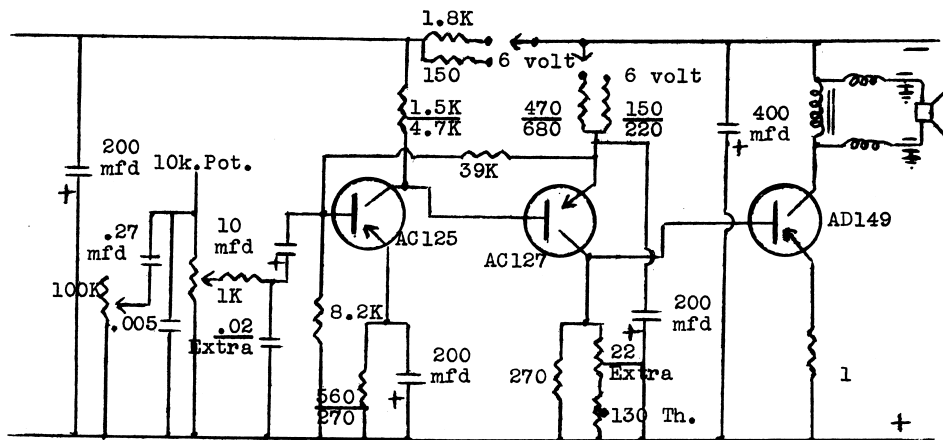


PUSH BUTTON MODELS. 655 and 658

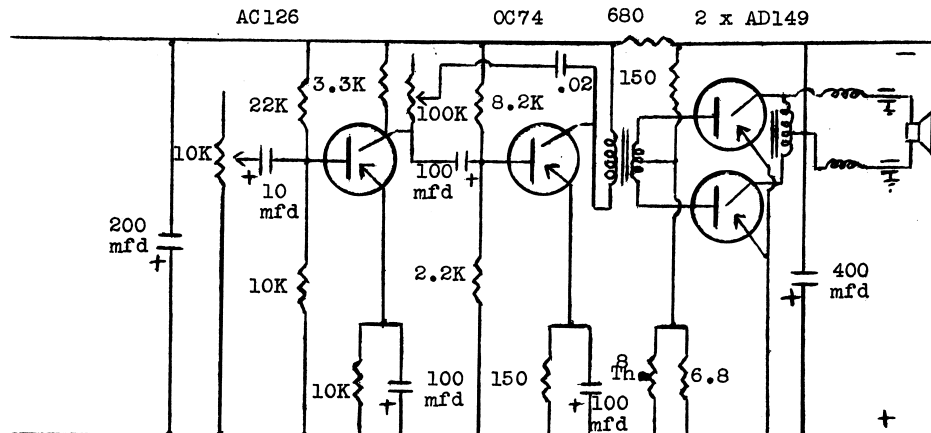
TUNING AND IF. SECTION

For Audio End see separate circuit.



Audio Section Models 652 - 653 - 655

N.B. Values underlined refer to modified circuit from No's 2050 (Approx). Values for earlier models not underlined. For Front end refer to circuit diagram Model DD.



Audio Section Models 654, 658 (12 volt only).

For Front end refer separate circuit.

AUTOVOX RADIOSVOLTAGES FOR TUNING & IF SECTIONPUSH BUTTON MODELS 655 & 658

Taken with 20,000 ohm/v meter at 13.5v.

TR1	AF116N
C	-5.45
B	-0.55
E	-0.35

TR3	AF117N
C	-4.9
B	-0.55
E	-0.35

TR2	AF116N
C	-5.45
B	-1.3
E	-1.15

TR4	AF117N
C	-4.4
B	-1.35
E	-1.1
OA90	-0.15

VOLTAGES FOR AUDIO SECTION
MODELS 652 - 653 -655Voltages after
Set No.2050 (approx).Voltages before
Set No. 2050 (approx).

TR5	AC125
C	-3.9
B	-0.7
E	-0.65

TR5	AD125
C	-2.1
B	-0.45
E	-0.35

TR6	AC127
C	-1.1
B	-3.9
E	-4.1

TR6	AC127
C	-0.8
B	-2.1
E	-2.3

TR7	AD149
C	-12.6
B	-1.1
E	-0.75

TR7	AD149
C	-13.1
B	-0.8
E	-0.55

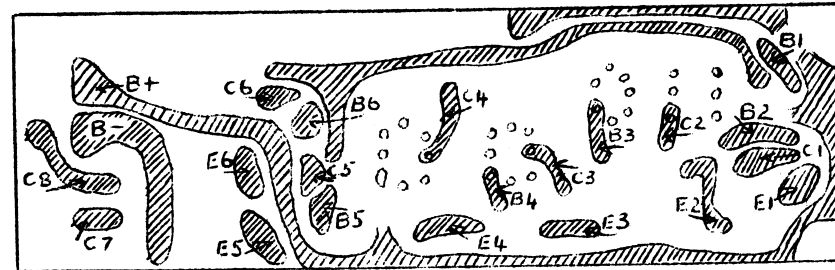
Collector Current AD149
13.5v approx. 650 MA
6.75v approx. 440 MACollector Current AD149
13.5v approx. 570 MA
6.75v approx. 570 MAVOLTAGES FOR AUDIO SECTION
MODELS 654 -658

TR5	AC126
C	-5.25
B	-1.8
E	-1.8

TR7 & TR8	AD149
C	-13.4
B	-0.3
E	0

Collector Current for AD149's
13.5v approx. 600 MA

TR6	OC74
C	-5.9
B	-1.1
E	-1

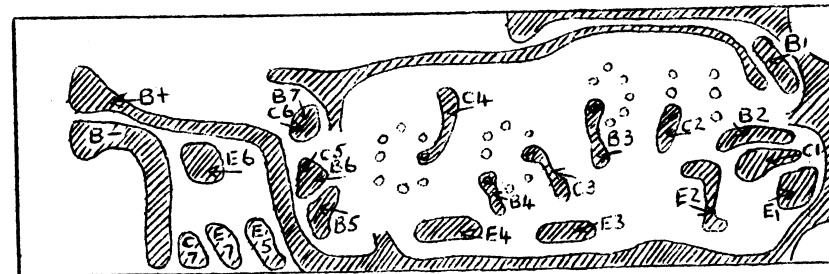
TRANSISTOR TEST POINTS FOR MODELS 674 AND 678 at 14 VOLTS

All Readings read from Positive line at full volume off station

AD149	AD149	OC74	AC126	OA90	AF117N	AF117N	AF116N	AF116N
C8-13.6	C7-13.6	C6-5.9	C5-5.25	-.15	C4-4.8	C3-5.4	C2-6.1	C1-6.1
B8-.3	B7-.3	B6-1.1	B5-2.1		B4-1.4	B3-.55	B2-1.5	B1-.55
E8-0	E7-0	E6-1.1	E5-2.1		E4-1.15	E3-.35	E2-1.3	E1-.35

COLLECTOR CURRENT AD149's

APPROX. 300 MA EACH.

TRANSISTOR TEST POINTS FOR MODELS 672-673-675 at 14 VOLTS

All Readings read from Positive Line at full volume off station

AD149	AC127	AC125	OA90	AF117N	AF117N	AF116N	AF116N
C7-11.25	C6-.9	C5-3.9	-.15	C4-4.4	C3-4.9	C2-5.45	C1-5.45
B7-.9	B6-3.9	B5-.7		B4-1.35	B3-.55	B2-1.5	B1-.55
E7-.6	E6-4.1	E5-.65		E4-1.15	E3-.35	E2-1.3	E1-.35

COLLECTOR CURRENT AD149

14 VOLTS APPROX. 600 MA

7 VOLTS APPROX. 450 MA

ALL READINGS TAKEN FROM POSITIVE
LINE AT FULL VOLUME, OFF STATION.