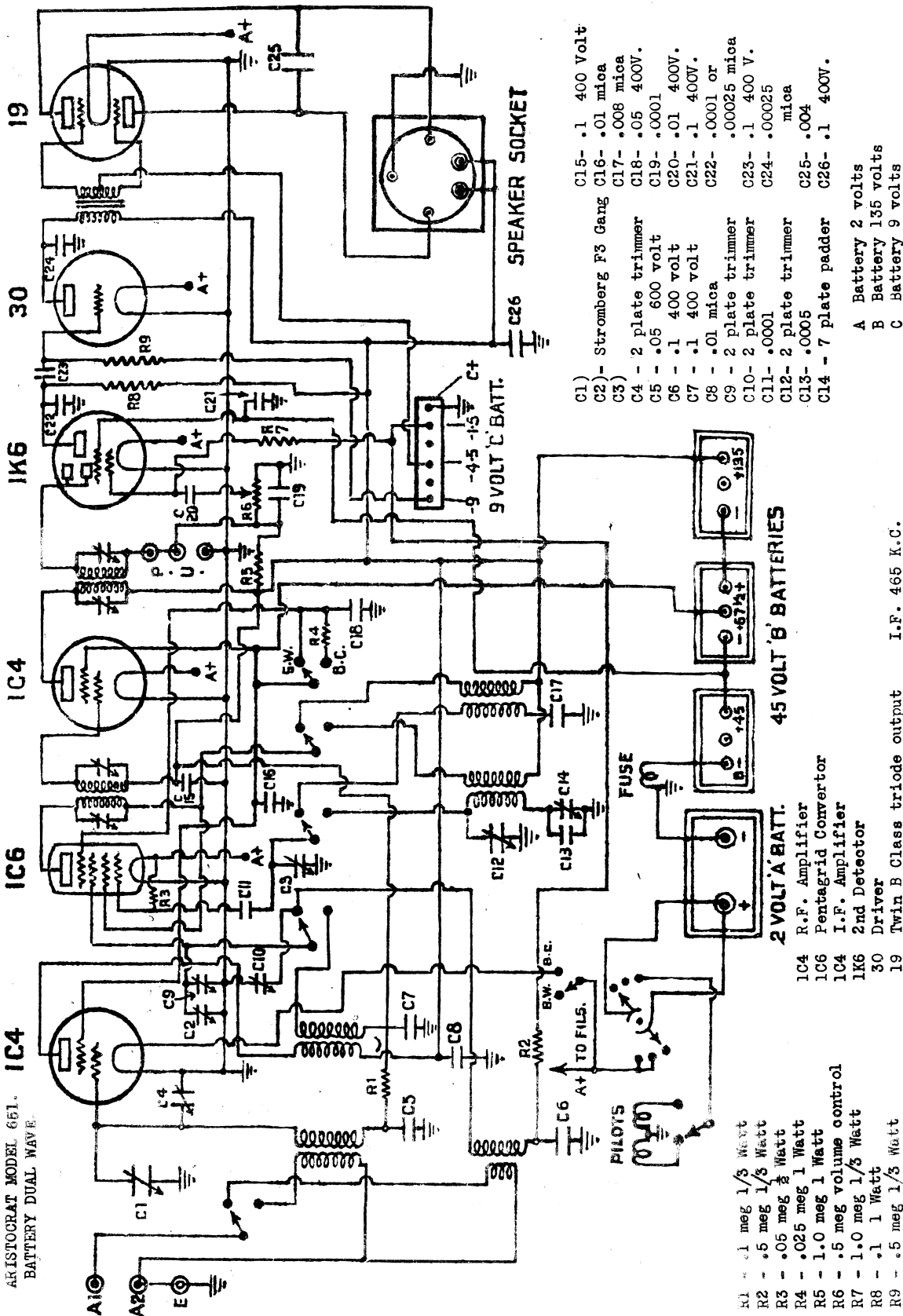


ARISTOCRAT MODEL 661.
BATTERY DUAL WAVE.



- R1 - .1 meg 1/3 Watt
- R2 - .5 meg 1/3 Watt
- R3 - .05 meg 1/3 Watt
- R4 - .025 meg 1 Watt
- R5 - 1.0 meg 1 Watt
- R6 - .5 meg volume control
- R7 - 1.0 meg 1/3 Watt
- R8 - .1 1 Watt
- R9 - .5 meg 1/3 Watt

- IC4 R.F. Amplifier
- IC6 Pentagrid Converter
- IC4 I.F. Amplifier
- IK6 2nd Detector
- 30 Driver
- 19 Twin B Class triode output

45 VOLT 'B' BATTERIES

2 VOLT 'A' BATT.

- C15 - .1 400 Volt
- C16 - .01 mica
- C17 - .008 mica
- C18 - .05 400V.
- C19 - .001
- C20 - .01 400V.
- C21 - .1 400V.
- C22 - .001 or .00025 mica
- C23 - .1 400 V.
- C24 - .00025 mica
- C25 - .004
- C26 - .1 400V.

- C1) - Stromberg F3 Gang
- C2) - 2 plate trimmer
- C3) - .05 600 volt
- C4 - 2 plate trimmer
- C5 - .1 400 volt
- C6 - .1 400 volt
- C7 - .01 mica
- C8 - 2 plate trimmer
- C9 - 2 plate trimmer
- C10 - 2 plate trimmer
- C11 - .001
- C12 - 2 plate trimmer
- C13 - .0005
- C14 - 7 plate padder

- A Battery 2 volts
- B Battery 155 volts
- C Battery 9 volts

I.F. 465 K.C.