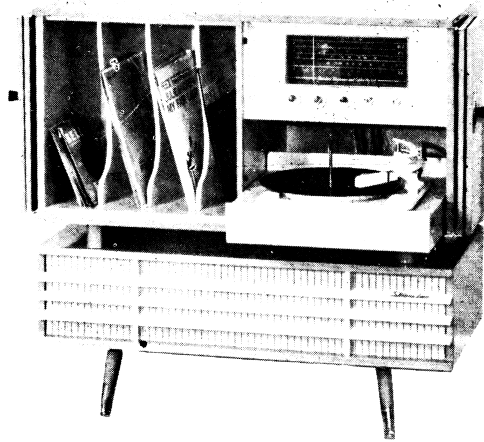




RADIO SERVICE BULLETIN

Issue No. 151.
Date of Issue: November, 1959.
Subject: Model No. 6193EP.



"STEREOLUXE"
De Luxe Stereo Radiogram
MODEL 6193EP

DESCRIPTION:

An A.C. operated six valve broadcast stereophonic console radiogram incorporating:-

- Automatic gain control across two stages.
- High gain and selective tuning circuits.
- Twin isolated amplifier systems.
- Feedback across each amplifier.
- Variable bass boost and treble cut.

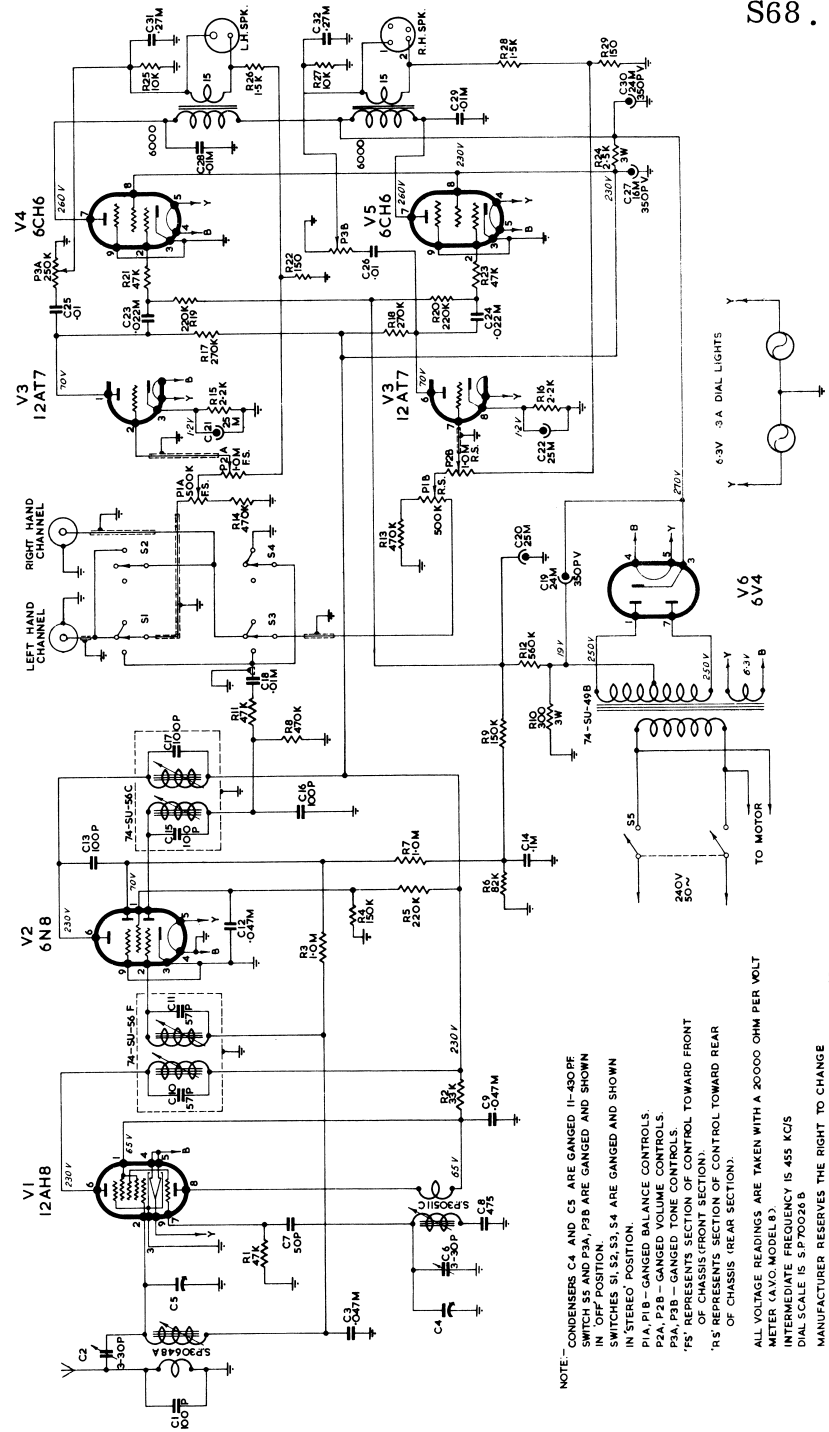
Only five controls to enable all functions to be carried out, all of which are extremely easy to use.

The speakers are mounted facing slightly outward, to improve the spacial sound distribution.

A dual balance control is provided, which adjusts differentially the gain of the two stereo amplifiers, to enable the correct balance conditions to be readily and simply obtained.



MODEL 6193 CONSOLE STEREPHONIC RADIOGRAM



NOTE:- CONDENSERS C4 AND C5 ARE GANGED 11-430 PPF IN 'OFF' POSITION.
SWITCHES S1, S2, S3, S4 ARE GANGED AND SHOWN IN STEREO POSITION.
P1A, P1B - GANGED BALANCE CONTROLS.
P2A, P2B - GANGED VOLUME CONTROLS.
P3A, P3B - GANGED TONE CONTROLS.
'FE' REPRESENTS SECTION OF CONTROL TOWARD FRONT OF CHASSIS (FRONT SECTION).
'RS' REPRESENTS SECTION OF CONTROL TOWARD REAR OF CHASSIS (REAR SECTION).
ALL VOLTAGE READINGS ARE TAKEN WITH A 20000 OHM PER VOLT METER (AVO MODEL 5).
INTERMEDIATE FREQUENCY IS 455 KC/S.
DIAL SCALE IS SP70026 B.
MANUFACTURED RESERVES THE RIGHT TO CHANGE COMPONENTS AND CIRCUIT ARRANGEMENTS WITHOUT NOTICE.