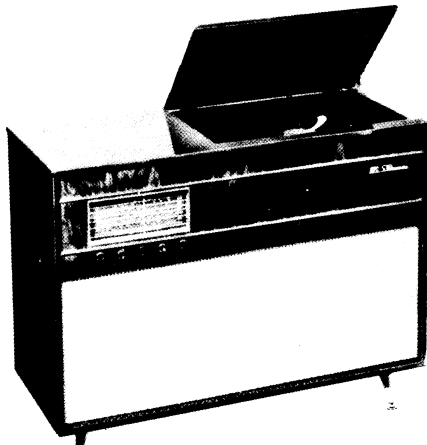




SPECIFICATION OF S.T.C. MODEL 6191EH STEREOPHONIC CONSOLE RADIOGRAM



STEREOVOX

DESCRIPTION:

An A.C. operated six valve superheterodyne broadcast stereophonic console radiogram, incorporating:-

- Automatic Gain Control across two stages.
- High Gain and Selective Tuning Circuits.
- Twin isolated Amplifier Systems.
- Feedback across each Amplifier.
- Fixed bass boost and variable treble cut.

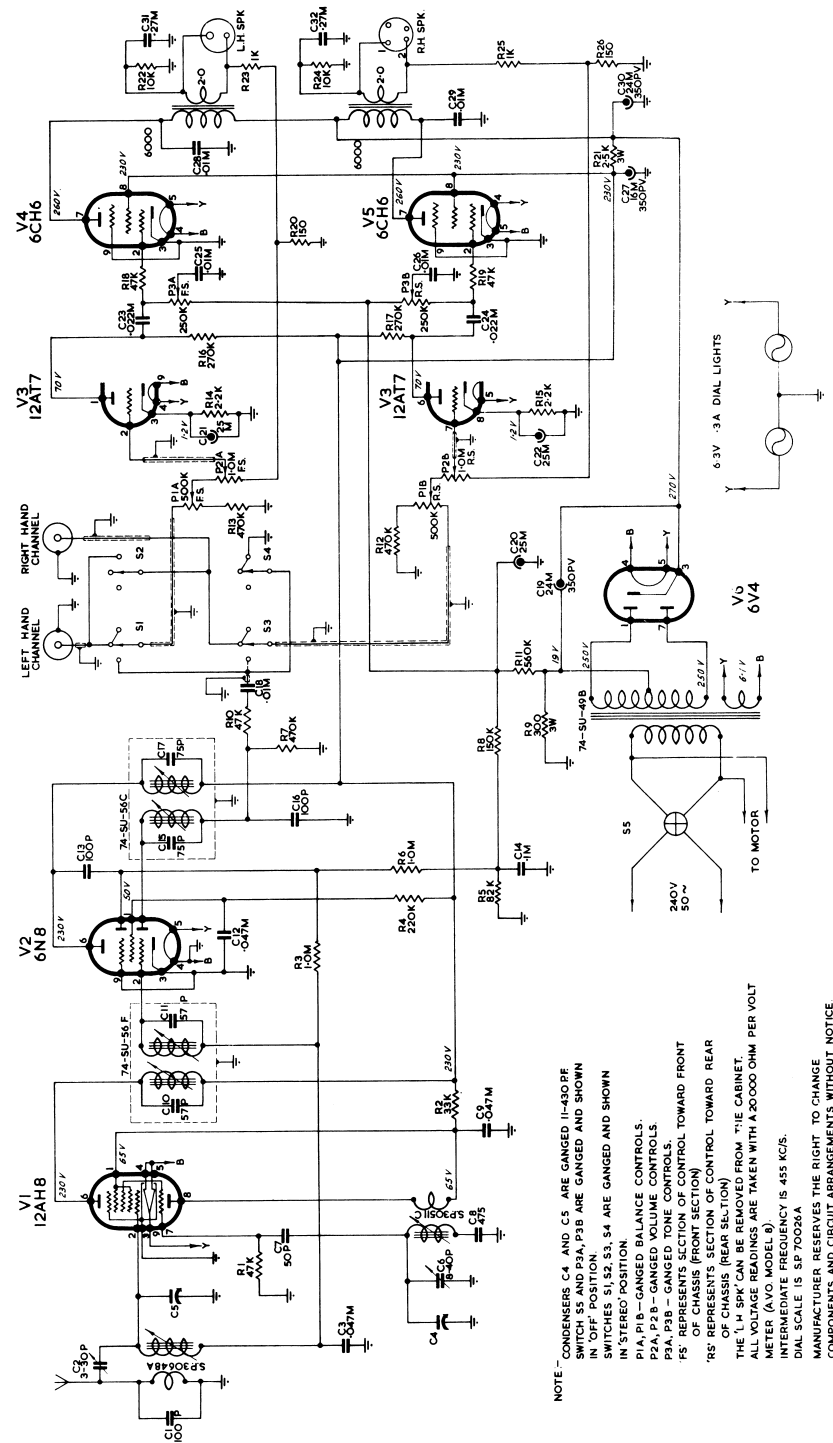
INTERMEDIATE FREQUENCY:

455Kc/s.

TUNING RANGE:

530 - 1620Kc/s.

S.T.C. MODEL 6191 CONSOLE STEREOPHONIC RADIOGRAM



NOTE: CONDENSERS C4 AND C5 ARE GANGED 11-430 P.F. SWITCH S5 AND P2A, P3B ARE GANGED AND SHOWN IN 'OFF' POSITION. S1, S2, S3, S4 ARE GANGED AND SHOWN IN 'STEREO' POSITION. P1A, P1B - GANGED BALANCE CONTROLS. P2A, P2B - GANGED VOLUME CONTROLS. P3A, P3B - GANGED TONE CONTROLS. FS REPRESENTS SECTION OF CONTROL TOWARD FRONT OF CHASSIS (FRONT SECTION). 'RS' REPRESENTS SECTION OF CONTROL TOWARD REAR OF CHASSIS (REAR SECTION). ALL VOLTAGE READINGS ARE TAKEN FROM THE CABINET METER (A.V.O. MODEL 8). INTERMEDIATE FREQUENCY IS 455 KC/S. DIAL SCALE IS SP 70026A. MANUFACTURER RESERVES THE RIGHT TO CHANGE COMPONENTS AND CIRCUIT ARRANGEMENTS WITHOUT NOTICE.