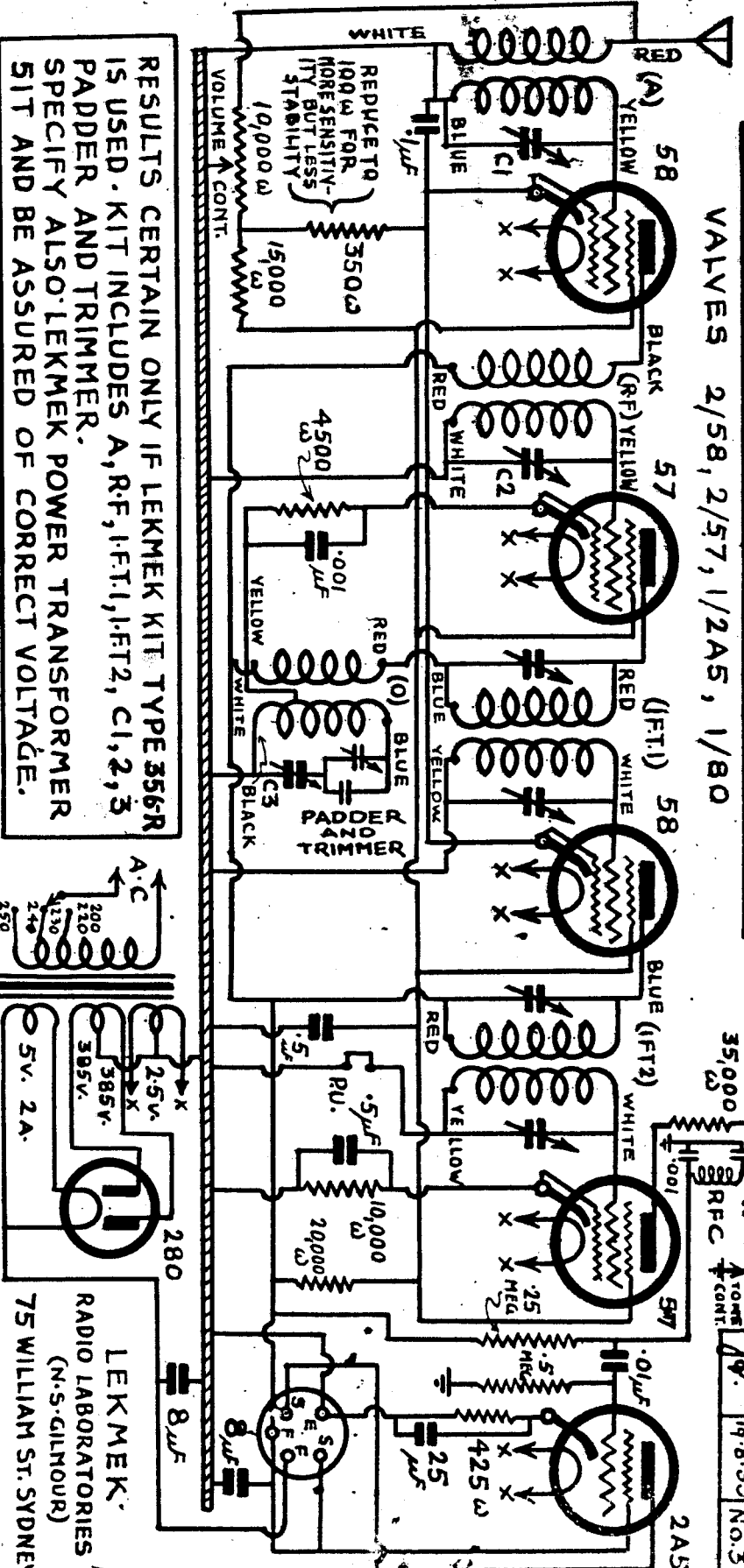


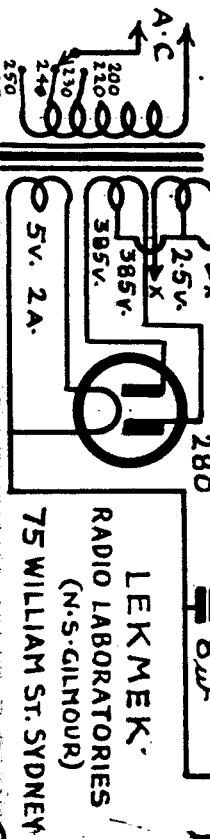
LEKMEK ELECTRIC SUPER TYPE 60-E

VALVES 2/58, 2/57, 1/2A5, 1/80



RESULTS CERTAIN ONLY IF LEKMEK KIT TYPE 356R IS USED. KIT INCLUDES A, R.F., I.F.T.1, I.F.T.2, C1, 2, 3 PADDER AND TRIMMER.

SPECIFY ALSO LEKMEK POWER TRANSFORMER 51T AND BE ASSURED OF CORRECT VOLTAGE.



0.00025, .02 50μF
35,000Ω
R.F.C.
TONE CONT.

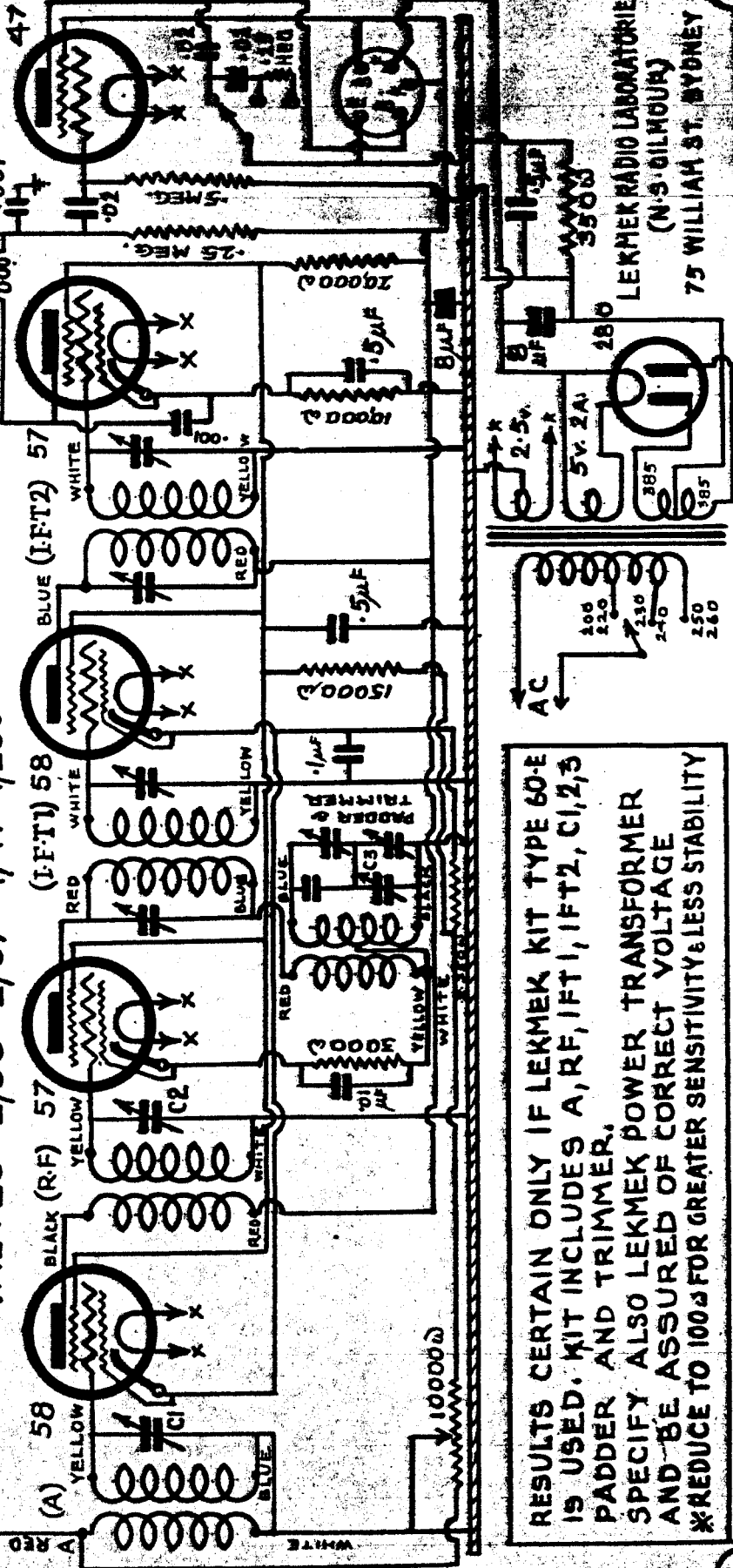
LEKMEK SO-E
CHK BY DATE ISSUE
19.8.55 NO. 3

LEKMEK
RADIO LABORATORIES
(N.S. GILMOUR)
75 WILLIAM ST. SYDNEY

LEKMEK ELECTRIC SUPER TYPE 60-E

VALVES 2/58 2/57 1/47 1/280

LEKMEK
NO 60-E
ISSUE NO 2



RESULTS CERTAIN ONLY IF LEKMEK KIT TYPE 60-E IS USED. KIT INCLUDES A, RF, IFT1, IFT2, C1, 2, 3 PADDERS AND TRIMMER. SPECIFY ALSO LEKMEK POWER TRANSFORMER AND BE ASSURED OF CORRECT VOLTAGE *REDUCE TO 100V FOR GREATER SENSITIVITY & LESS STABILITY

LEKMEK RADIO LABORATORIES
(N.S. GILMOUR)
75 WILLIAM ST. SYDNEY