

Service Data for the Healing Receiver

MODEL 599B

Power Supply—2 volt A Battery, 135 volt B Battery.

Frequency Range—550-1,620 kilocycles, 7,890 to 24,000 kilocycles.

Intermediate Frequency—455 kilocycles.

Speaker Transformer Impedance—15,000 ohms.

Dial Lights—2 volt, .1 amp.

Battery Current—.42 amp from A Battery, 12 to 16 ma. from B. Battery.

Typical Valve Voltages (measured to chassis)—

		1,000 ohms per volt D.C. meter scales			
		10 V.	250 V.	250 V.	250 V.
Valve	Use	Filament	Screen	Plate	Osc. Plate
1C6	Osc. Mod.	2	40	130	} 50—B.C. 95—S.W.
1A4	1st I.F.	2	40	130	
1A4	2nd I.F.	2	40	130	
1B5	Det. A.V.C., 1st A.F.	2		80	
1F5G	2nd A.F.	2	122	128	

Voltage across 150 and 200 ohm resistors in B neg. lead—5 volts.

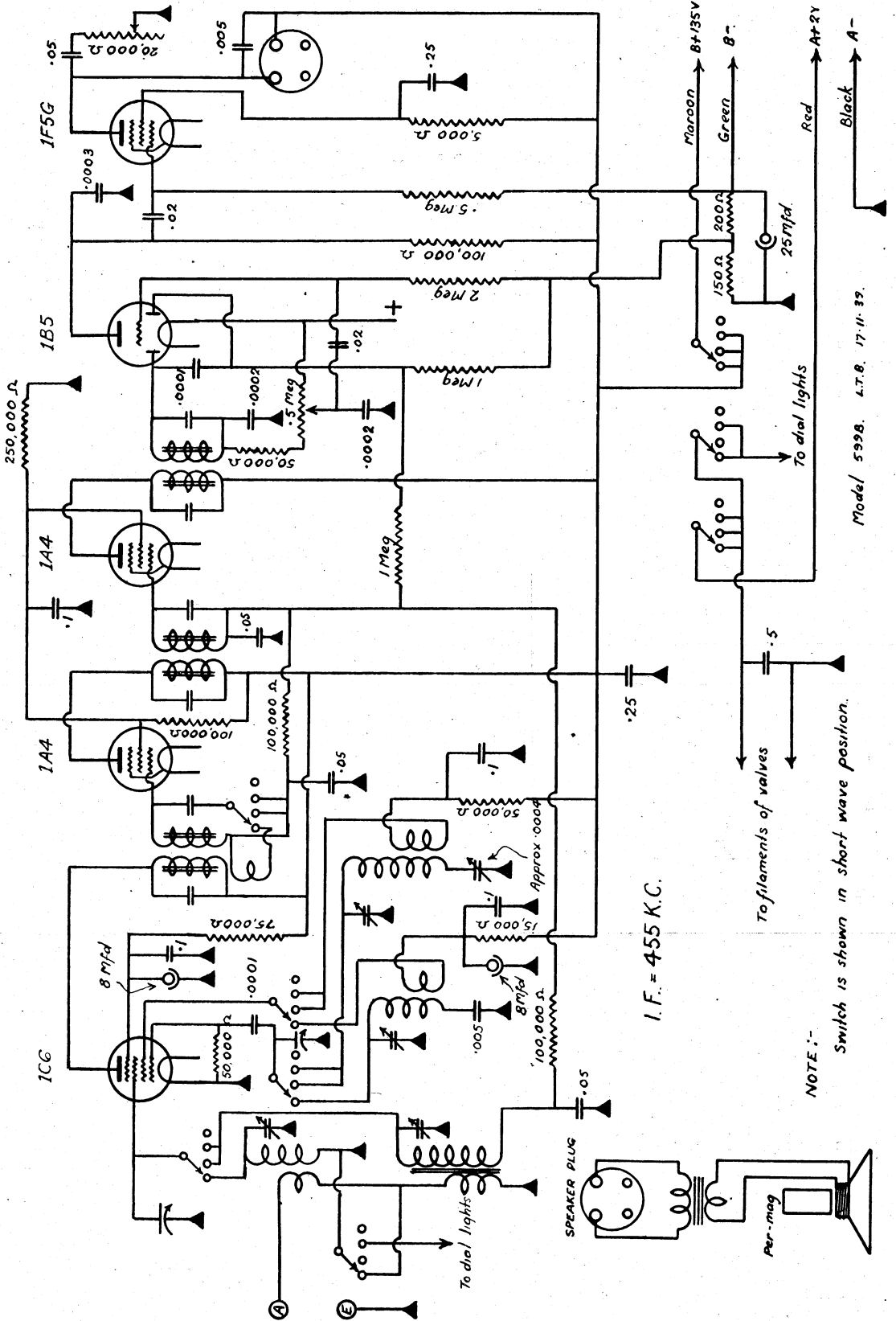
Voltage measurements taken with aerial disconnected and no signal input.

See pages 153 and 117 for alignment procedure.

Trimmers.—Aerial trimmers are nearest the back of the chassis, but it should be noted that in some cases the broadcast aerial trimmer is omitted.

HEALING

Service Data for the Healing Receiver, Model 599B.



Circuit Diagram of Model 599B