

Service Data for the Healing Receiver

MODEL 58B

A SUPERHETERODYNE WITH A.V.C.

Power Supply
2 volt A Battery
135 volt
B Battery

Dial Lamps
2.5 volt-.1 amp
(4)
and 2.5 volt-.3
amp. (1)

General layout is same as Model 527 B,
Page 103.

Frequency
Range
1500-550 K.C.

Intermediate
Frequency
180 K.C.

TYPICAL VALVE VOLTAGES (measured to Chassis).

		1,000 ohms. per volt D.C. Meter Scales			
		10 V.	250 V.	250 V.	250 V.
Valve	Use	Filament	Screen	Plate	Osc. Plate
1C4	R.F.	2	40 Normal 18 Economy	135	50 Normal 70 Economy
1C6	Osc. Mod.	2		135	
1C4	I.F.	2		135	
1K6	A.V.C. Det. 1st A.F.	2		30	
1D4	2nd A.F.	2		125	

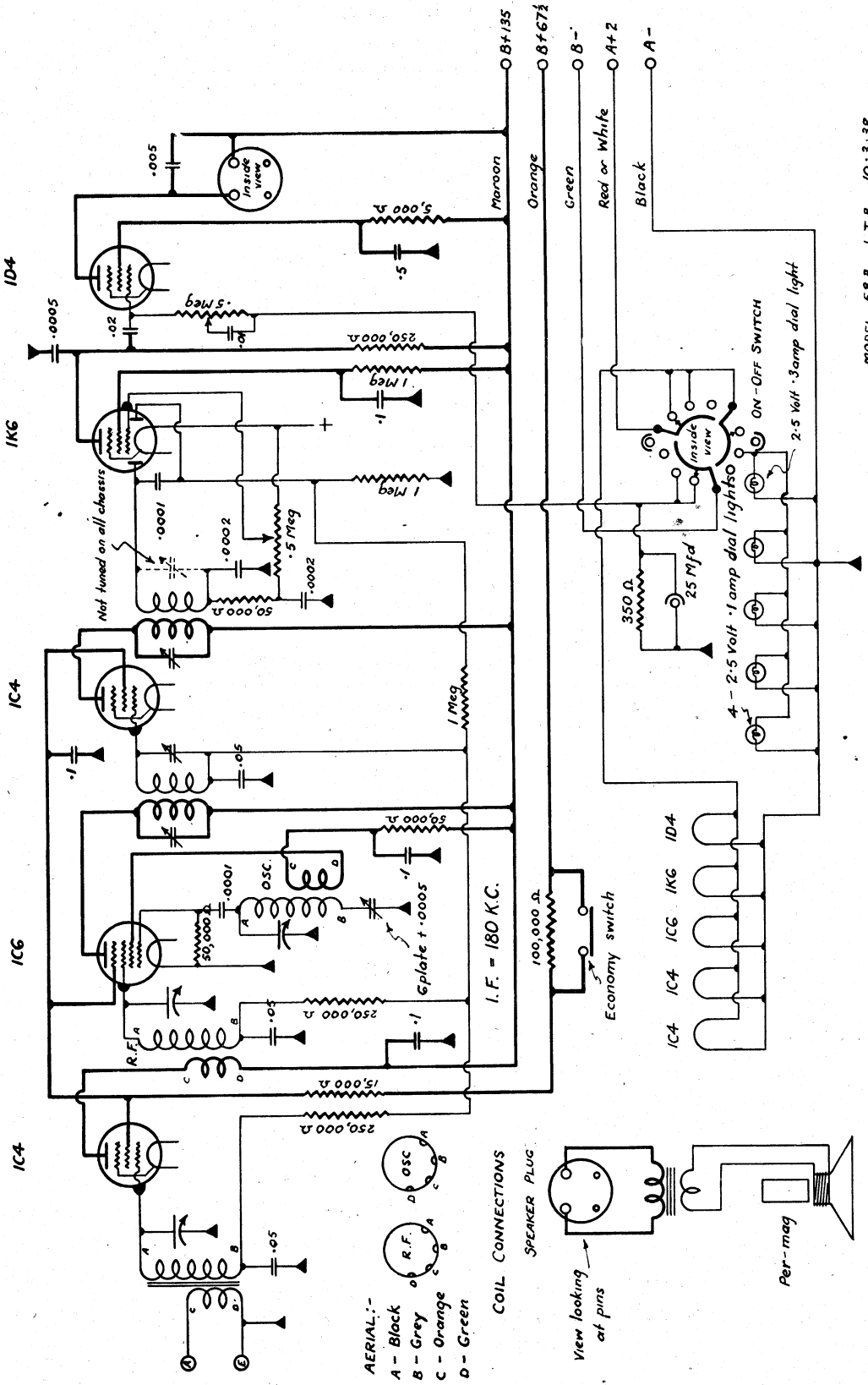
B. Battery current—Normal 14 Ma, Economy 10.5 Ma.

Voltage measurements taken with aerial disconnected and no signal input.

See page 117 for outline of alignment procedure.

HEALING

Service Data for the Healing Receiver Model 58B.



MODEL 58B L.T.B. 10-3-38

Circuit Diagram of Model 58B.