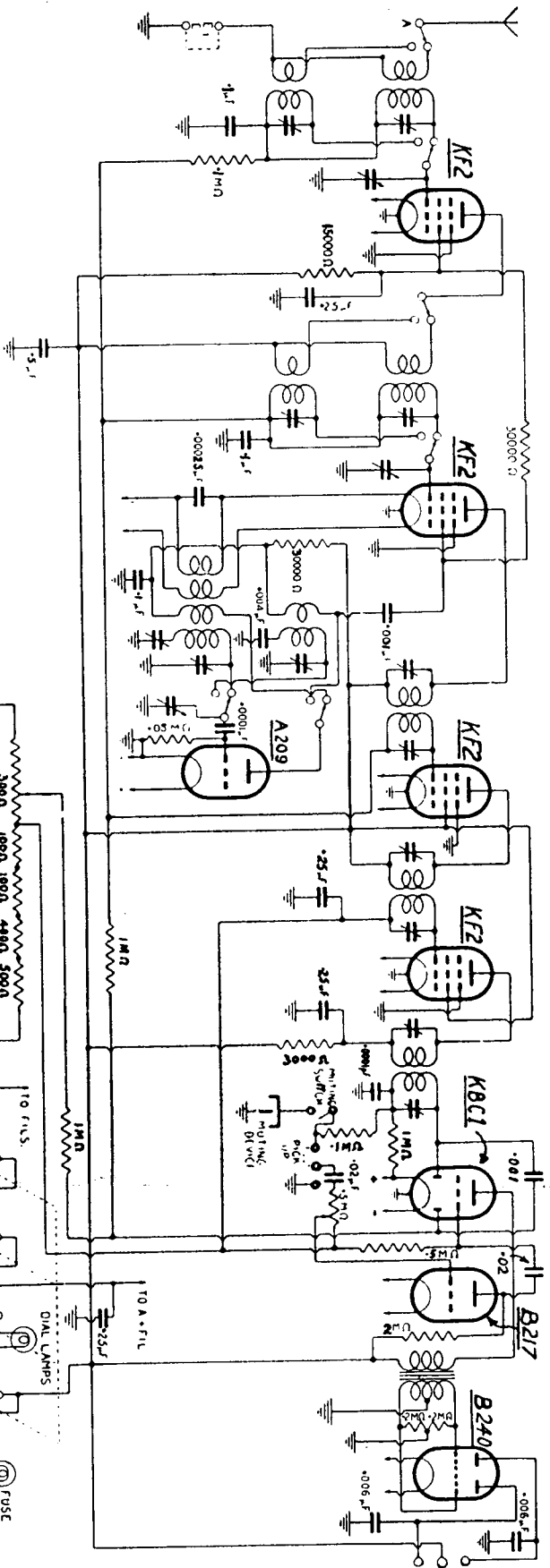


Philips "Radioplayer" Battery Operated Dual-Wave Console Models 5813, 5814



5813, 5814.

1. F. 460 KC.

"Radioplayer"

5813 & 5814

1935 Console Models

OPERATING VOLTAGES.

The following measurements were made with a "1,000 ohms per volt" meter, and the voltages are those existing between the socket contact indicated and chassis. Grid voltages are measured at the source (i.e., at the various tapplings on the back-biasing resistor) and not at the socket contacts. The receiver was in a "no signal" condition with the volume control in the "minimum" position.

- Kf2, R.F. Amplifier: Plate, 150 v.; screen, 140 v.; grid, -2 v.
- Kf2, Mixer: Plate, 150 v.; screen, 130 v.; grid, -2 v.
- A209, Oscillator: Plate, 60 v.; grid, zero.
- Kf2, 1st I.F. Amplifier, 460 KC.: Plate, 150 v.; screen, 150 v.; grid, -2 v.
- Kf2, 2nd I.F. Amplifier, 460 KC.: Plate, 150 v.; screen, 150 v.; grid, -3 v.
- K8C1, Detector, A.V.C. Rectifier, and A.F. Driver: Plate, 150 v.; grid, -3 v.
- B217, A.F. Voltage Amplifier: Plate, 75 v.; grid, -3 v.
- B240, Double-Triode, Output: Each plate, 150 v.; each grid, zero.

SPECIAL FEATURES OF RADIOPLAYERS 5501, 5502 and 5813, 5814.

Features to note when servicing these models are the "Selective Muting" control (models 5813, 5814 only), a mechanical device which operates in conjunction with the tuning dial and serves to silence the receiver when tuning between stations, and the interchangeable scale of the dial (all four models). The selective muting feature is important, as anyone unfamiliar with its operation may quite easily fall into the error of thinking that the set is "dead."

The muting device is of the type which operates on the tuning knob and consists of a contact which shorts the audio input as soon as the tuning knob is turned more than two or three degrees in either direction. The correct procedure for handling this receiver is to tune slightly past the wanted station and then tune back; reversal of the tuning direction opens the contacts for a few degrees and so permits the station to be heard. A switch is provided on the back of the chassis in order to cut the muting device out of circuit when it is not required.

The Philips "interchangeable scale" was introduced during 1935 to take care of the variation in station allocations which look place during that year. Should it become necessary to remove the chassis from its cabinet, the dial scale must first be removed; otherwise both scale and dial pointer will be damaged if an attempt is made to remove the chassis. The dial scale slips out quite easily from its slot in the top of the moulded escutcheon. Care should be taken to see that the dial pointer is turned so that it is vertical when the dial scale is being replaced; otherwise there is a risk of bending it when pushing the scale into position.

Both use 8-inch permag. loudspeaker and differ only in cabinet style. Note use of separate oscillator, muting system, arrangement of A.F. amplifier valves, and use of first 22.5 v. of "B" supply for biasing.