

Service Data for the Healing Receivers

MODELS 575E and 576E

Power Supply—200-250 volts A.C., 50 cycles.

Frequency Range—550-1,620 kilocycles, 7,890 to 24,000 kilocycles.

Intermediate Frequency—455 kilocycles.

Speaker Field—2,000 ohms.

Speaker Transformer Impedance—5,500 ohms.

Dial Lights—6 volts .5 amp.

Typical Valve Voltages (measured to chassis)—

		A.C.	1,000 ohms per volt D.C. meter scales.			
			50 V.	250 V.	250 V.	250 V.
Valve	Use	Filament	Cathode	Screen	Plate	Osc. Plate
EK2G	Osc. Mod.	6.2	0	60—B.C. 85—S.W.	230	195
6U7G	I.F.	6.2	2	100	230	
6B6G	Det. A.V.C., 1st A.F.	6.2	-2.25		85	
6V6G	2nd A.F.	6.2	0	230	225	
80	Rectifier	4.9				

Voltage across back bias resistors—13 volts.

Voltage across speaker field—115 volts.

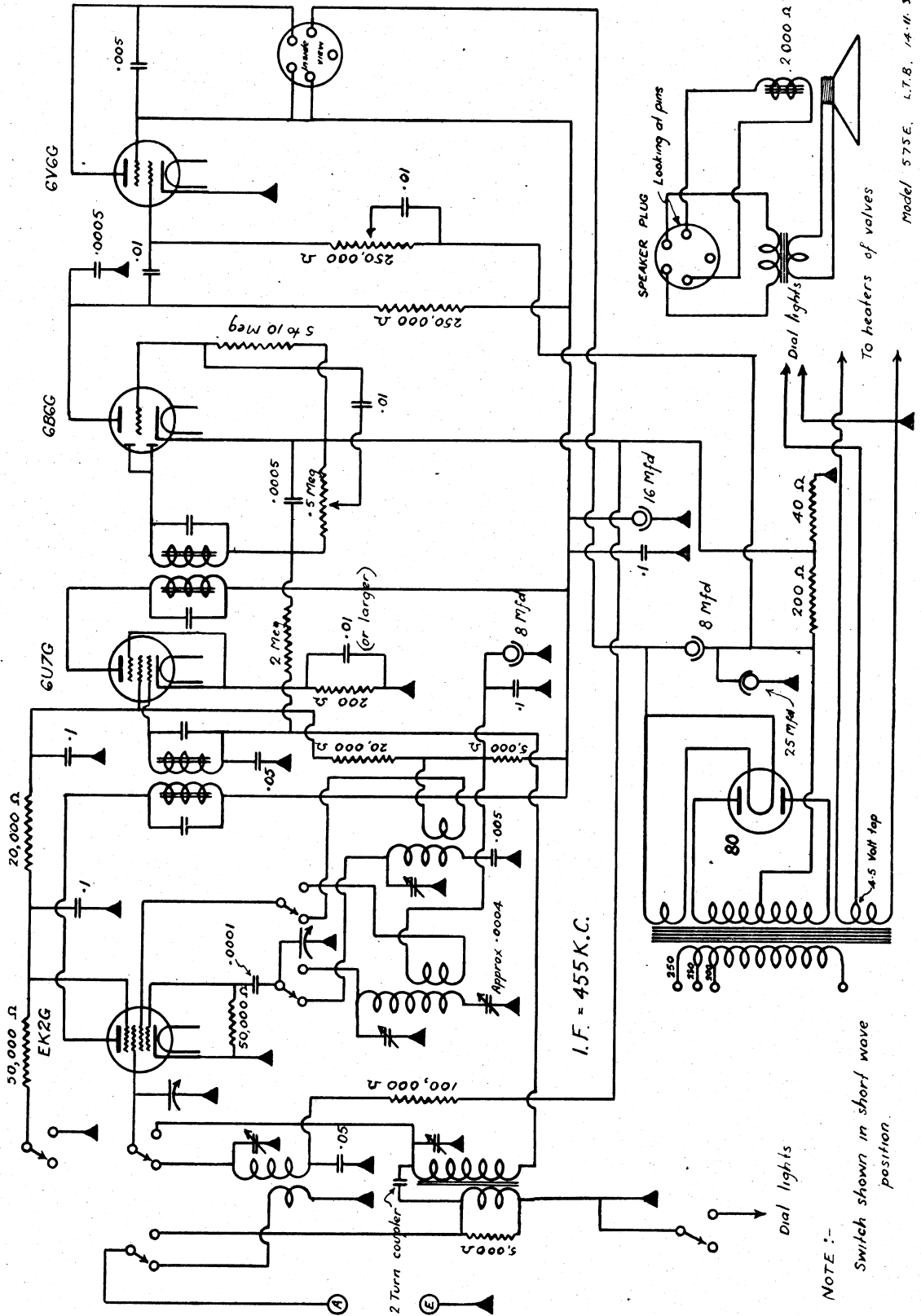
Voltage measurements taken with aerial disconnected and no signal input.

See pages 153 and 117 for alignment procedure.

Trimmers.—The aerial trimmers are those nearest the end of the chassis. The short-wave trimmers may be identified by their connection to the enamelled wire leads on the short-wave coils.

HEALING

Service Data for the Healing Receivers, Models 575E and 576E.



NOTE :-
Switch shown in short wave position.

Circuit Diagram of Models 575E and 576E

Model 575E, L.T.B. 14-11-39.