

Service Data for the Healing Receiver

MODEL 567E

A DUAL WAVE SUPER-HETERODYNE WITH A.V.C.

Power Supply
200-250 Volts
A.C.
50 Cycles

Speaker Field
2500 ohms.

Dial Lamps
6 Volt-.5 amp.

Controls on Front Panel, from left to right
are :—Volume, Wave change, Tuning
On-off Switch and Tone.

Frequency
Range
1500-550 K.C.
6-18 M.C.

Intermediate
Frequency
455 K.C.

TYPICAL VALVE VOLTAGES (measured to Chassis).

Valve	Use	A.C. Filament	1,000 ohms. per volt D.C. Meter Scales			
			50 V. Cathode	250 V. Screen	250 V. Plate	250 V. Osc. Plate
6K7	R.F.	6.2	2	80	225	
6A8	Osc. Mod.	6.2	3	80	225	145
6B7S	1F, A.V.C. Det.	6.2	2	80	225	
6J7	1st A.F.	6.2	1	25	35	
6F6	2nd A.F.	6.2	14.5	225	205	
80	Rectifier	5				

Speaker Field Voltage Drop—140 Volts.

Voltage measurements taken with aerial disconnected, and no signal input.

Switch to B.C. "Distant."

Trimmers : The broadcast band trimmers are those nearest the end of the chassis. Aerial section of gang is at the rear, R.F. in the centre, and oscillator at front.

HEALING

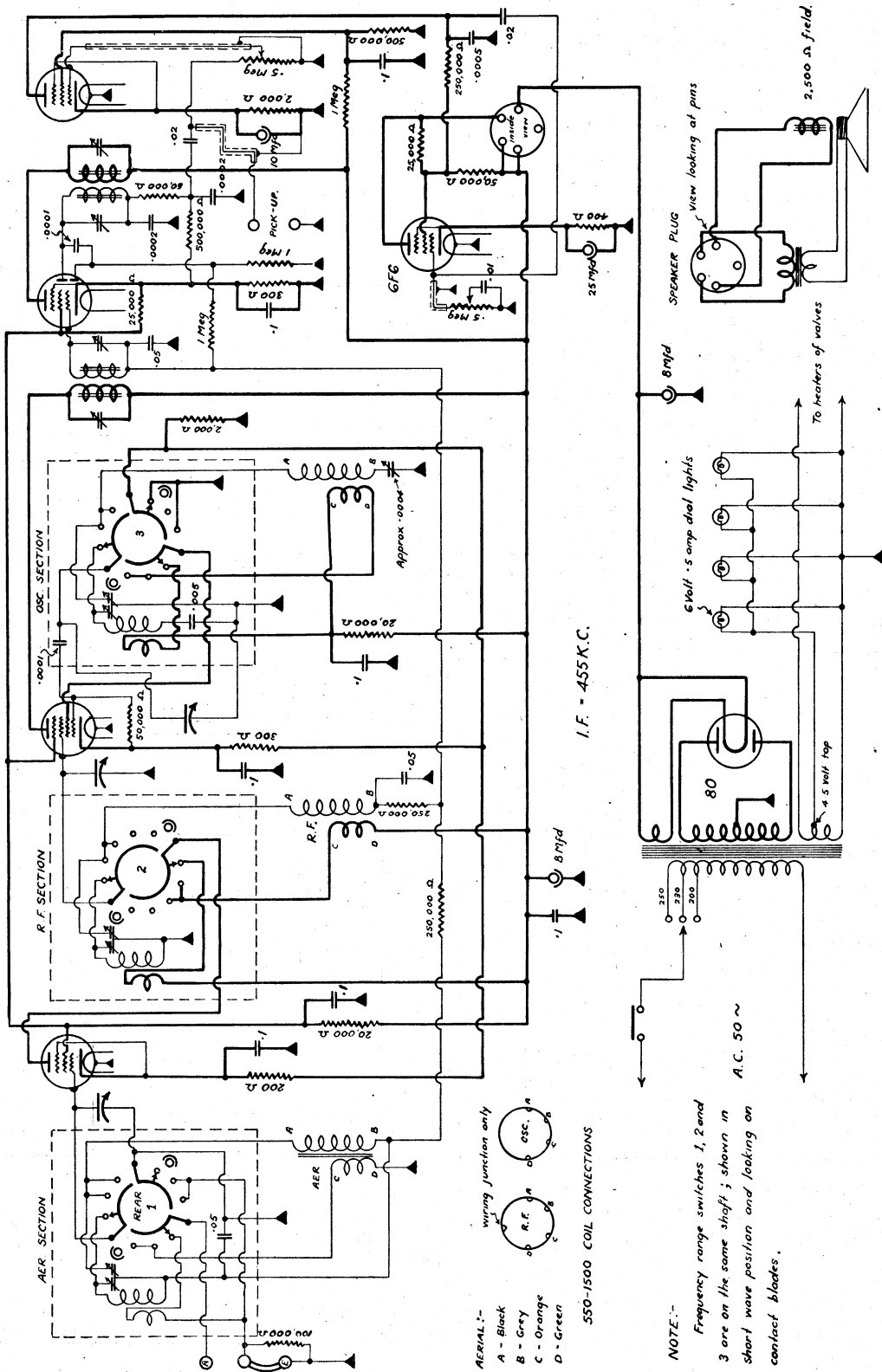
Service Data for the Healing Receiver Model 567E

6J7

6B7S

6A8

6K7



MODEL 567E, I.T.B. 11-5-36.

Circuit Diagram of Model 567E.

NOTE:-
Frequency range switches 1, 2 and 3 are on the same shaft; shown in short wave position and looking on contact blades.

A.C. 50 ~