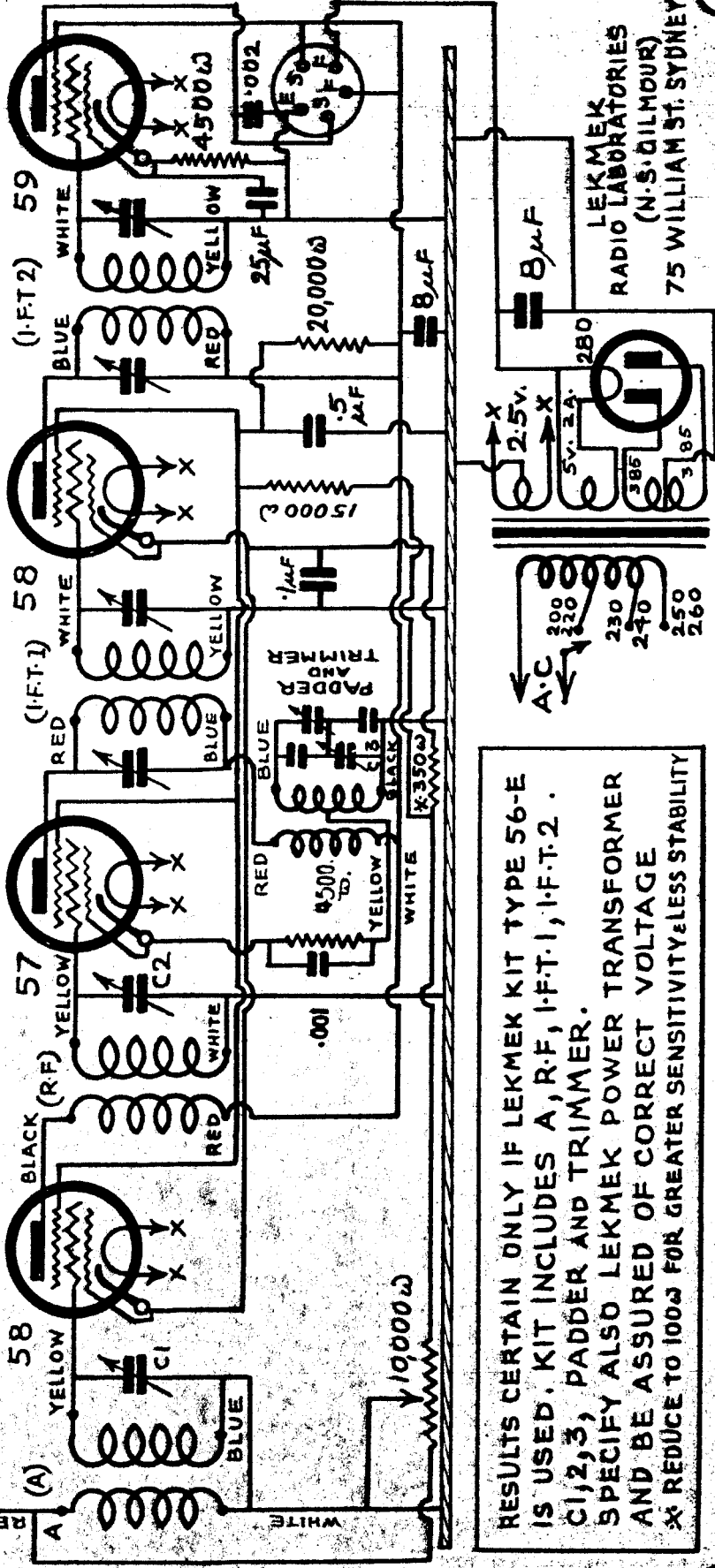


LEKMEK ELECTRIC SUPER TYPE 56-E

VALVES 2/58 1/57 1/59 1/280

LEKMEK
NO 56E
ISSUE NO 1



LEKMEK
RADIO LABORATORIES
(N.S. GILMOUR)
75 WILLIAM ST. SYDNEY

RESULTS CERTAIN ONLY IF LEKMEK KIT TYPE 56-E IS USED. KIT INCLUDES A, R.F, 1F.T.1, 1F.T.2. C1,2,3, PADDER AND TRIMMER. AND BE ASSURED OF CORRECT VOLTAGE * REDUCE TO 100V FOR GREATER SENSITIVITY & LESS STABILITY