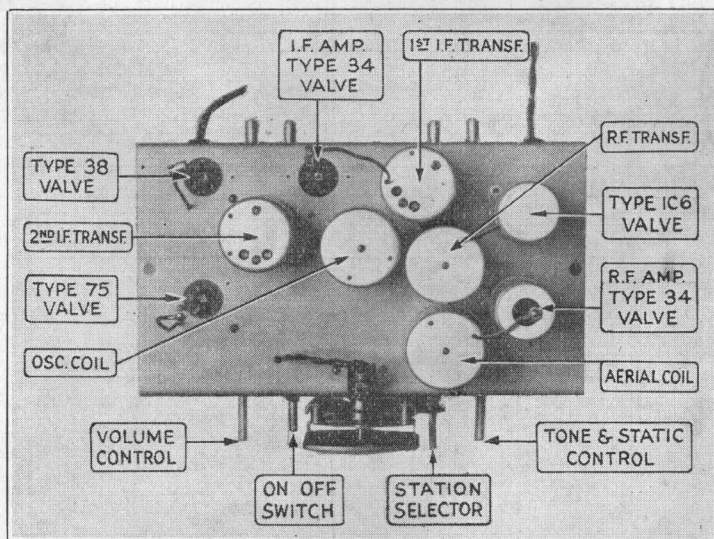


# SERVICE DATA FOR HEALING RADIO

## RECEIVER MODEL 55B

SUPER-HETERODYNE WITH A.V.C.



### VALVES:—

- |                   |                                       |
|-------------------|---------------------------------------|
| 34 R.F. Amplifier | 1C6 Pentagrid Converter               |
| 34 I.F. Amplifier | 75 Diode Demodulator & A.F. Amplifier |
|                   | 38 Power Pentode                      |

### PILOT LAMP:—

6.3 V. .1 Amp.

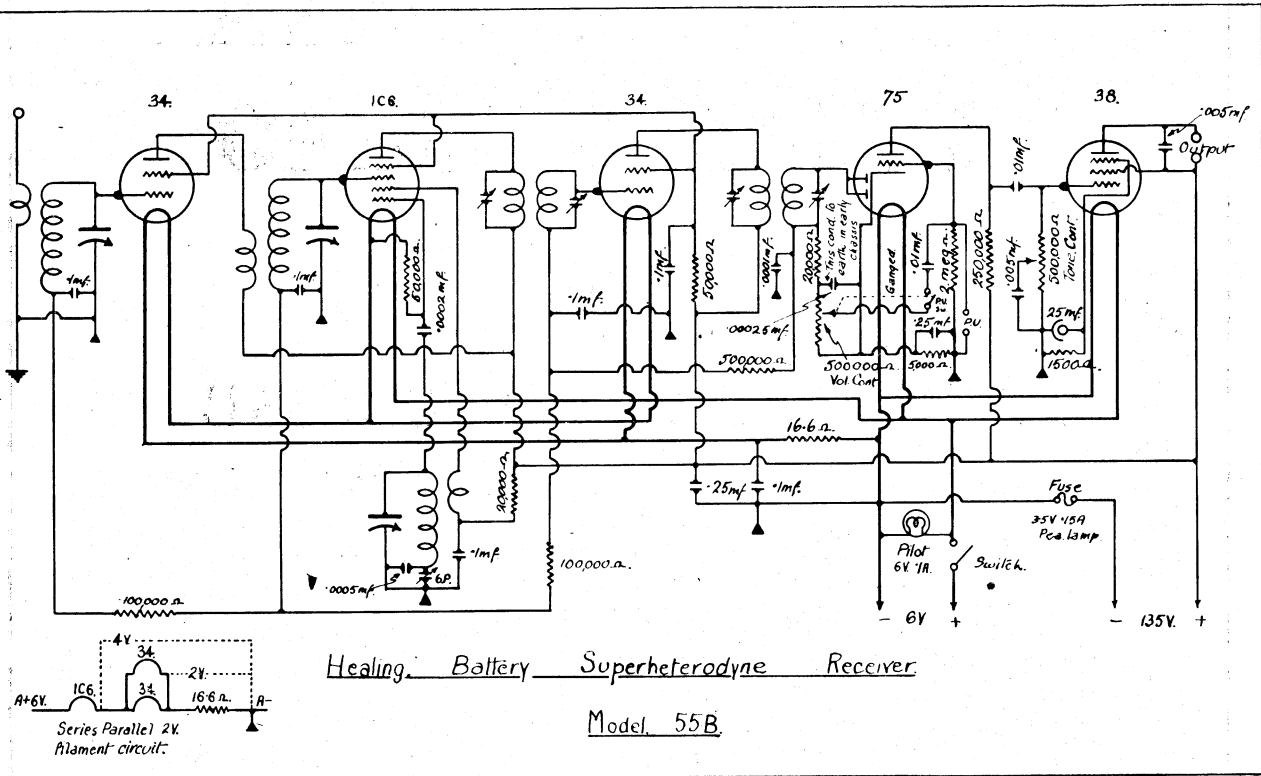
Miniature Lamps

### FUSE:—

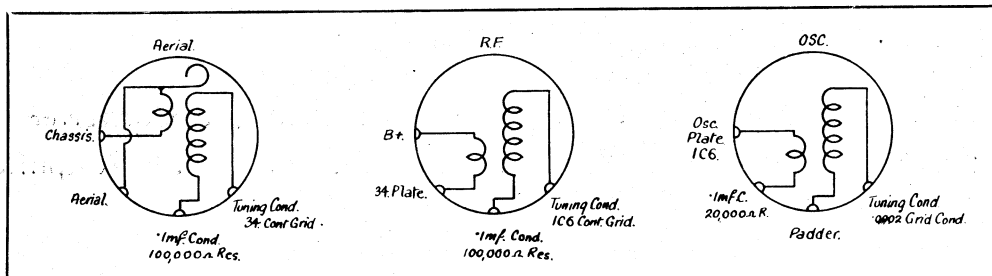
3.5 V. .15 Amp.

# HEALING

## Service Data for Receiver Model 55B



Circuit Diagram of Model 55B.



Coil Winding Connections Viewed from Inside of Chassis.

# HEALING

## Service Data for Receiver Model 55B

### POWER SUPPLY.

6 Volt "A" Battery.  
135 Volt "B" Battery.

### BATTERY CONNECTION COLOUR SCHEME.

A+        Red or white.  
A-        Black.  
B-        Green.  
B+135V   Maroon.

For battery connection procedure see instructions for Model 55B.

### "A" BATTERY CURRENT.

.72 amps + .1 amp. for pilot light.

### "B" BATTERY CURRENT.

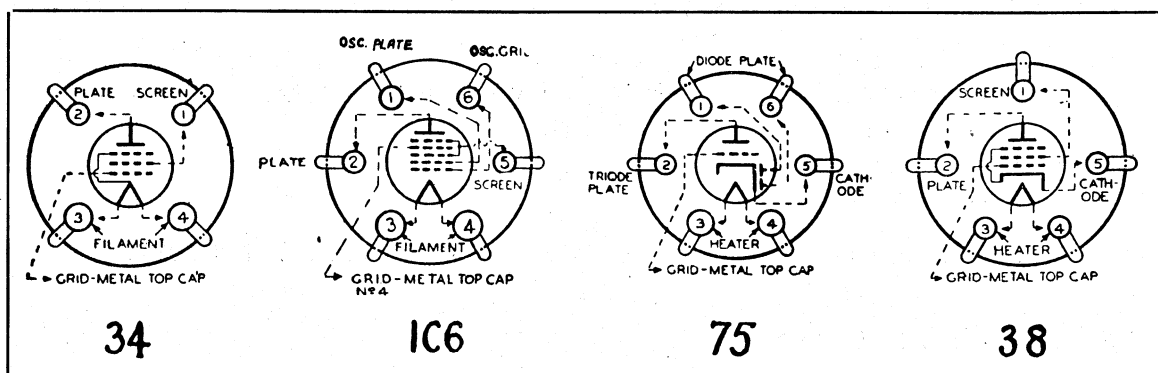
14.5 M.A. no signal.

### VALVES.

Make sure the valves are in good condition, of the correct type, and are properly fitted into the correct sockets before operation.

### CAUTION.

Do not remove any valves from sockets while the "A" Battery circuit is switched on, as some of the remaining valves will be slightly overloaded.



Valve Connections Viewed from Bottom of Socket.

### VALVE VOLTAGES.

Valves.	Filament.	Cathode.	Screen.	Plate.	Osc. Plate
34 R.F.	2V. (A)	} See note	40 (C)	135 (C)	90 (C)
1C6	2V. (A)		40 (C)	135 (C)	
34 I.F.	2V. (A)		40 (C)	135 (C)	
75	6V. (A)	.8 (A)		58 (C)	
38	6V. (A)	12.5 (B)	135 (D)	133 (C)	

Voltages shown measured with aerial disconnected and receiver off station.

# HEALING

## *Service Data for Receiver Model 55B*

### **NOTE.**

The 2V. valves are arranged in a series parallel filament circuit (see circuit diagram), and the control grid limiting voltages are those existing between the chassis and the negative pins of the following valves:—

1C6 negative filament pin 4V. above chassis.

34 R.F. and 34 I.F. negative filament pin 2V. above chassis.

All the voltages given above are those indicated when using a 1000 ohm per volt meter.

Scales: 0—10 (A)—50 (B)—250 (C)—750 (D) volts.

Meters of different resistance will not indicate similar readings at the points measured.

### **SPEAKER.**

The magnetic-dynamic Speaker is matched to the power valve, and the input is connected across the filament pins of the four-pin plug. Make sure the plug is connected to the receiver before operation.

### **OPERATION.**

See Model 55B operating instructions under "Tuning."

### **LINING.**

The I.F. is 175 K.C. The condenser unit trimmers from the control end are:—

Aerial trimmer.

R.F. trimmer.

Oscillator trimmer.

See "General Service Notes" for lining method.

### **DIAL.**

See "General Service Notes."

Read carefully the instructions for installation and operation of the Model 55B.

### **POSSIBLE FAULTS.**

See "General Service Notes."