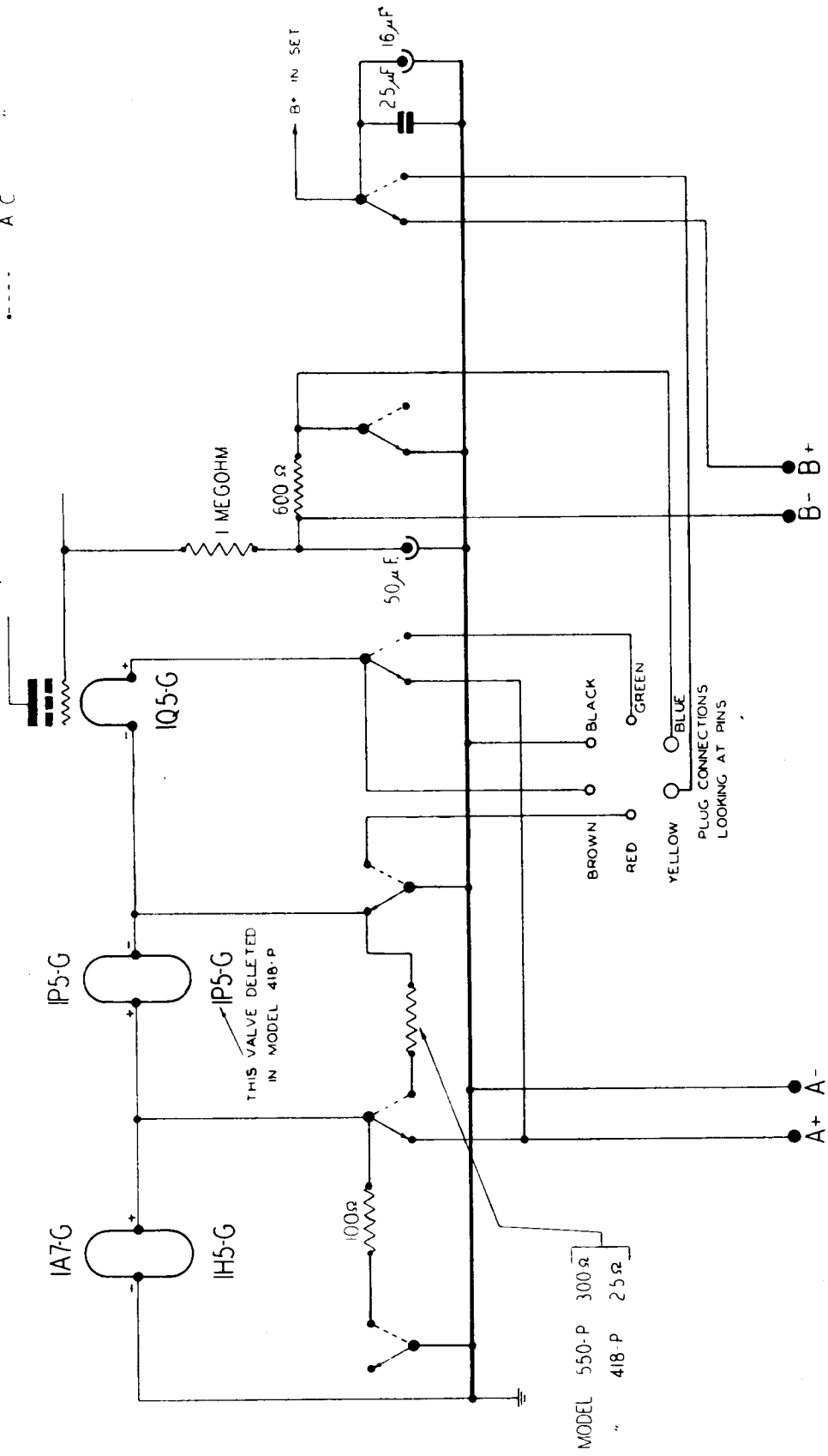


MODEL 550-P

INTERMEDIATE FREQUENCY 455 K.C.

BATTERY OPERATION
A C

FILAMENT CONNECTIONS



MODIFICATIONS TO MODELS 550-P & 418-P FOR A.C. OR BATTERY OPERATION