
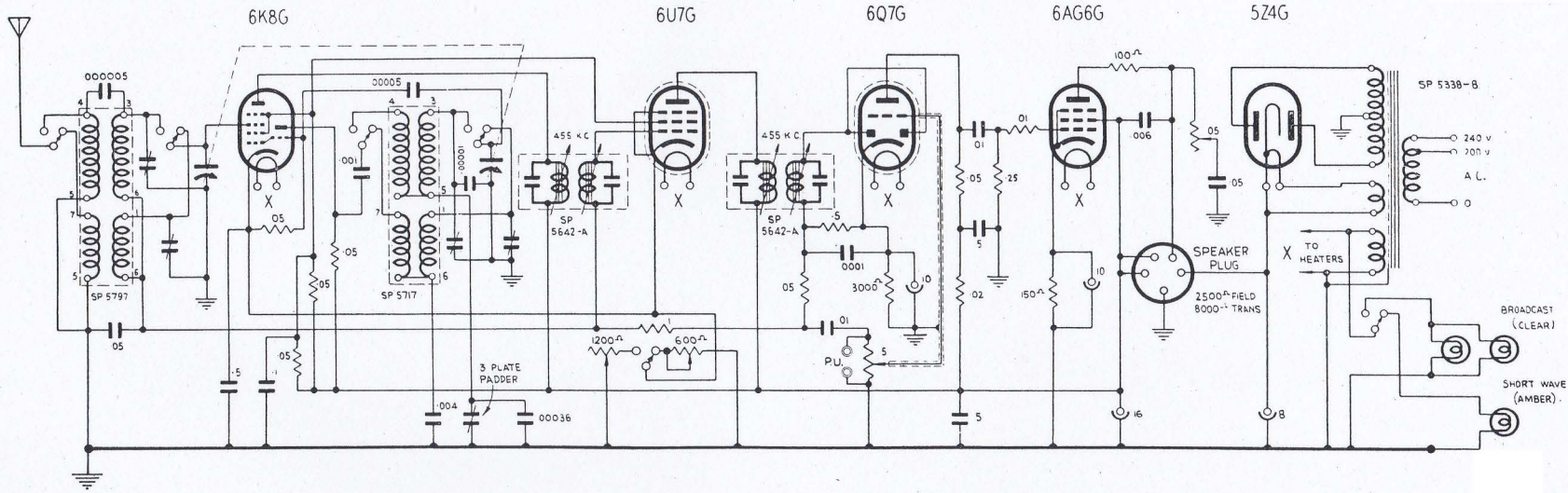


ALL RESISTANCES ARE IN MEGOHMS UNLESS STATED OTHERWISE
 CAPACITIES " " MFDS " "
 CONNECTIONS SHOWN THUS 



MODEL 543
 TJ & U

INTERMEDIATE FREQUENCY 455 K.C.