
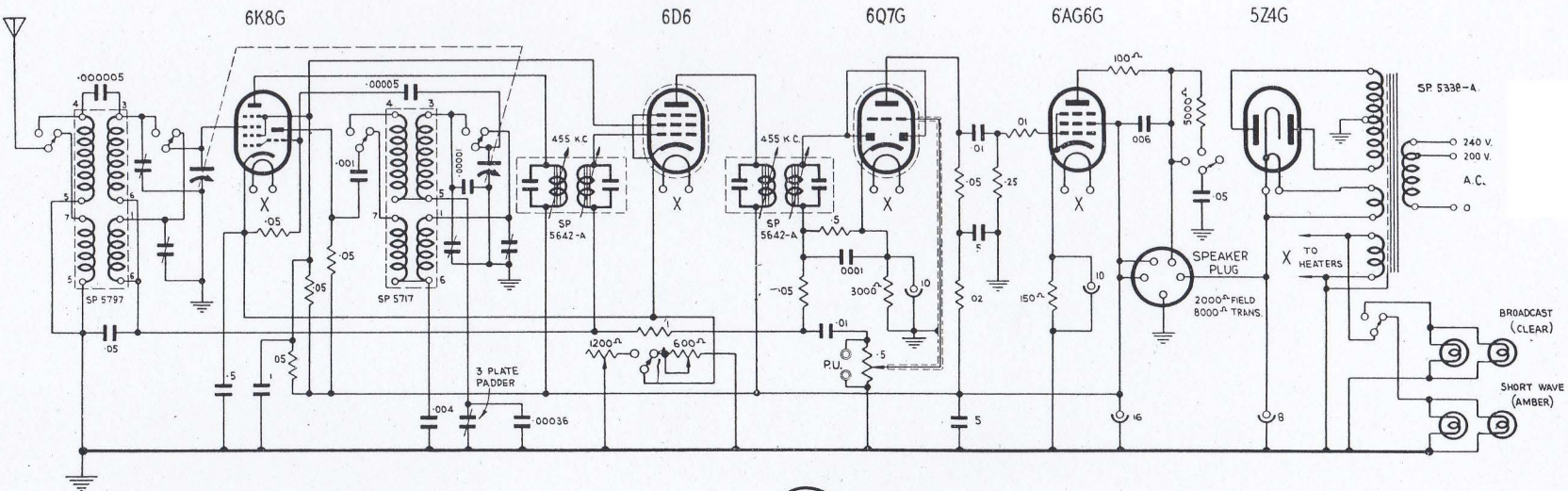


ALL RESISTANCES ARE IN MEGOHMS UNLESS STATED OTHERWISE

" CAPACITIES " " MFDS " " "

" CONNECTIONS SHOWN THUS  "



# MODEL 542 R&S

INTERMEDIATE FREQUENCY 455 K.C.