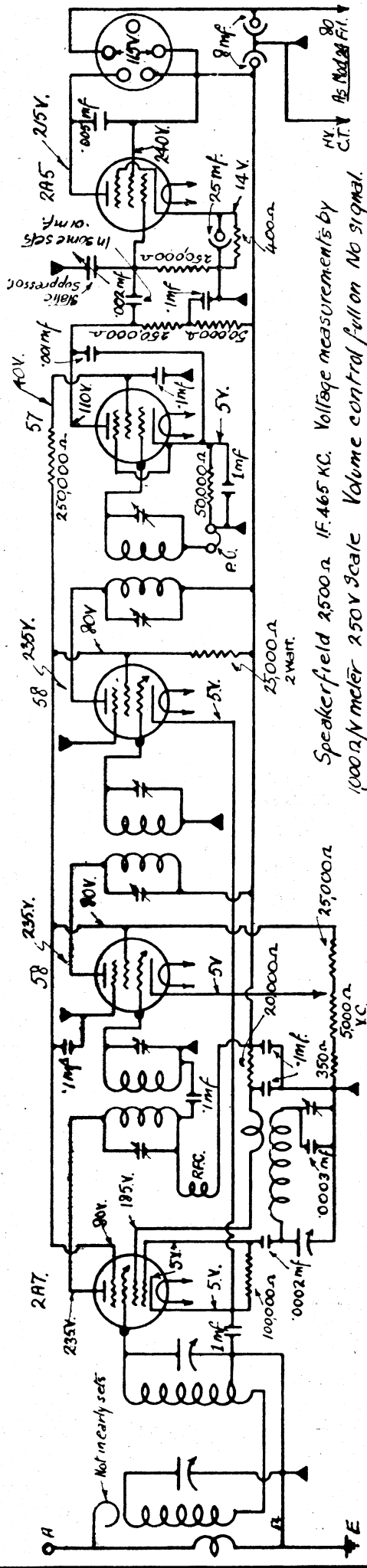
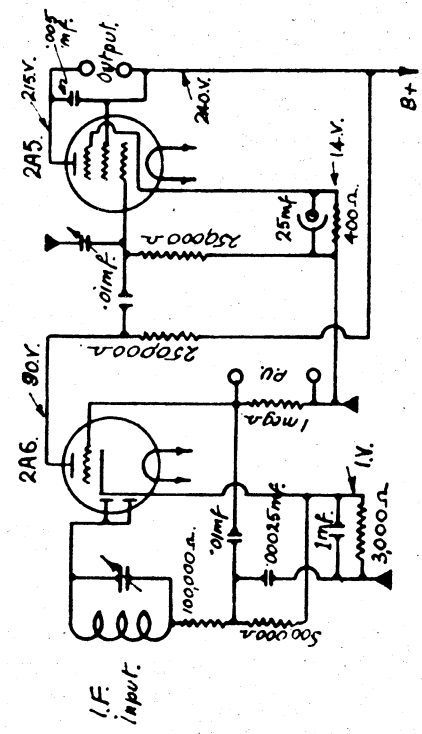


HEALING

Circuit Diagrams of 1934 Receivers



Speakerfield 2500Ω I.F. 465 KC. Voltage measurements by
 1000Ω/y meter 250V scale Volume control full on No signal.



DeModulator-Power Amp. circuit used in later
 Model 54.