

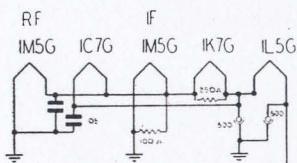
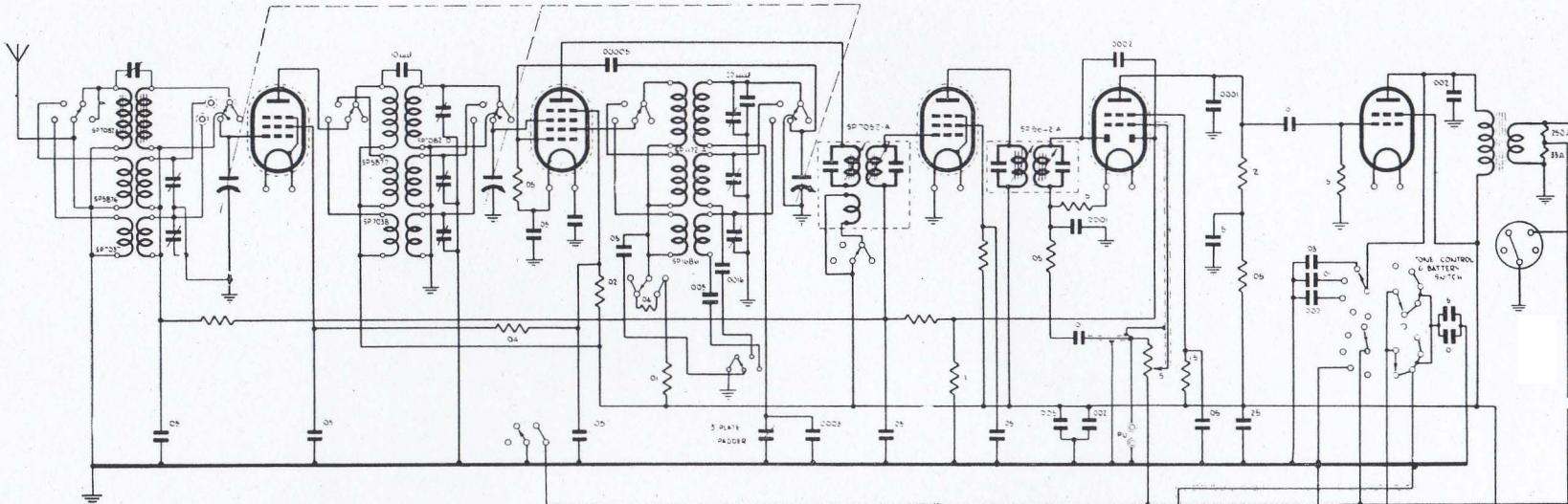
1M5G

1C7G

1M5G

1K7G

1L5G



FILAMENT SCHEMATIC



MODEL — 535

ALL RESISTANCES IN MEGOHMS UNLESS STATED OTHERWISE
 CAPACITIES - MFDS
 CONNECTIONS SHOWN THROUGH
 IF FREQUENCY - 455 KCS

